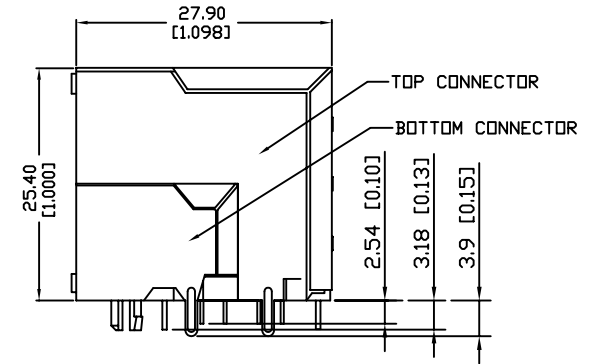
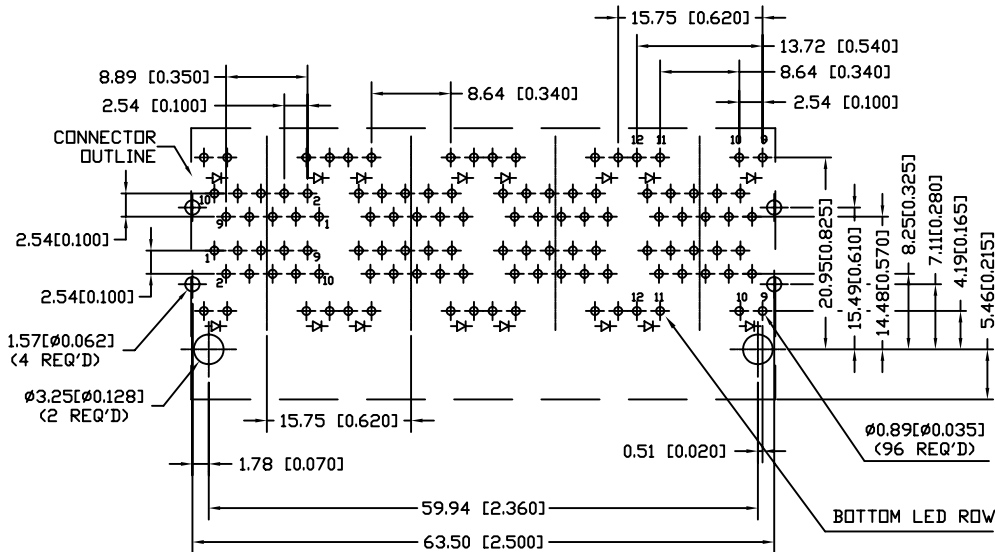


FRONT VIEW



SIDE VIEW



SUGGESTED PCB LAYOUT
TOP VIEW

NOTES:

- MATERIALS:
HOUSING: HIGH TEMP. THERMOPLASTIC, PBT, UL 94V-0, BLACK.
CONTACTS: T=0.35 mm PHOSPHOR BORNZE, 50u" NICKEL UNDERPLATE ON ALL AREA, 100u" TIN ON TERMINATION END, 3u" GOLD ON CONTACT AREA.
SHIELD: T=0.25 mm COPPER ZINC ALLOY WITH NI.
- JACK CAVITY CONFORMS TO FCC RULES AND REGULATIONS PART 68, SUBPART F
- UNSPECIFIED TOLERANCE: .XX ±0.25[0.010]
.X ±0.30[0.012]

XRJD-S-24-A-A-1-TN5

Shielded Plating Type
S SHIELDED

LED COLOR OPTION
NO. OF CONTACT

NO. OF POSITION

NO. OF PORTS

24 = 2*4

D-[Double Stacked W/LED]

RoHS Compliant

X MULTIPLE		CONNECTING THE INFORMATION AGE	
MULTIPLE ASIA 4F, No. 347, Yang Guang St., Neihu Chu, Taipei, Taiwan 11475		MULTIPLE USA 1420 Los Angeles Ave., Suite G, Simi Valley, CA 93065	
THIS DRAWING IS A CONTROLLED DOCUMENT.		G/NO:	
TITLE: Stacked RJ45 Connectors, W/LED, 10P, 10C, Shielded, Thru Hole, 2 Piece Structure		DWG NO: XRJD-S-24-A-A-1-TN5	
PART NO: XRJD-S-24-A-A-1-TN5		DRAWN: JEFF	
		CHKD: TARA	
		DATE: Dec.20,05	
UNIT mm[inch]	SHEET 1 of 1	REV A	