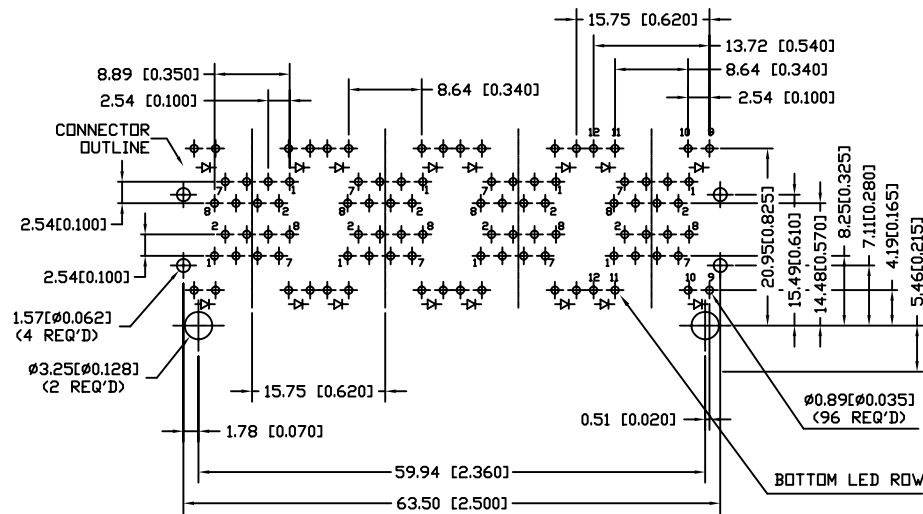


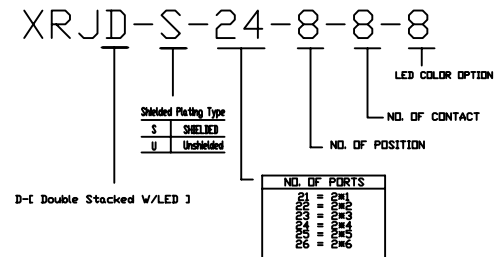
FRONT VIEW

SIDE VIEW



SUGGESTED PCB LAYOUT
TOP VIEW

DIMENSIONAL TOLERANCE: .XX ±0.08[0.003]



NOTES:

- MATERIALS:
HOUSING: HIGH TEMP. THERMOPLASTIC, PBT, UL 94V-0, BLACK.
CONTACTS: T=0.35 mm PHOSPHOR BORNEZE, 50µ" NICKEL UNDERPLATE ON ALL AREA, 100µ" TIN ON TERMINATION END, 15µ" GOLD ON CONTACT AREA.
SHIELD: T=0.25 mm COPPER ZINC ALLOY PLATED WITH NIECEL.
- JACK CAVITY CONFORMS TO FCC RULES AND REGULATIONS PART 68, SUBPART F
- UNSPECIFIED TOLERANCE: .XX ±0.25[0.010]
.X ±0.30[0.012]

RoHS Compliant

XMULTIPLE		THE INFORMATION AGE	
XMULTIPLE ASIA 4F, No. 347, Yang Guang St., Neihu, Taipei, Taiwan 11475		XMULTIPLE USA 1420 Los Angeles Ave., Suite G, Simi Valley, CA 93065	
THIS DRAWING IS A CONTROLLED DOCUMENT.		G/NO: DWG NO: XRJD-S-23-8-8-8	
TITLE: Stacked RJ45, Connectors, W/LED, 8P, 8C, Shielded, Thru Hole, 2 Piece Structure		DRAWN: LEON	
PART NO: XRJD-S-24-8-8-8		CHKD: JEFF	
		UNIT mm[inch]	SHEET 1 of 1
		REV B	DATE: Sep.29,05