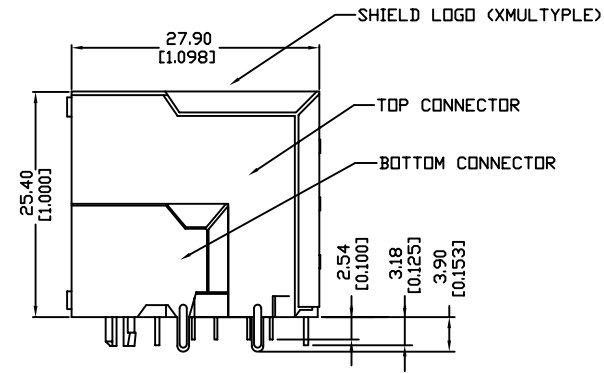
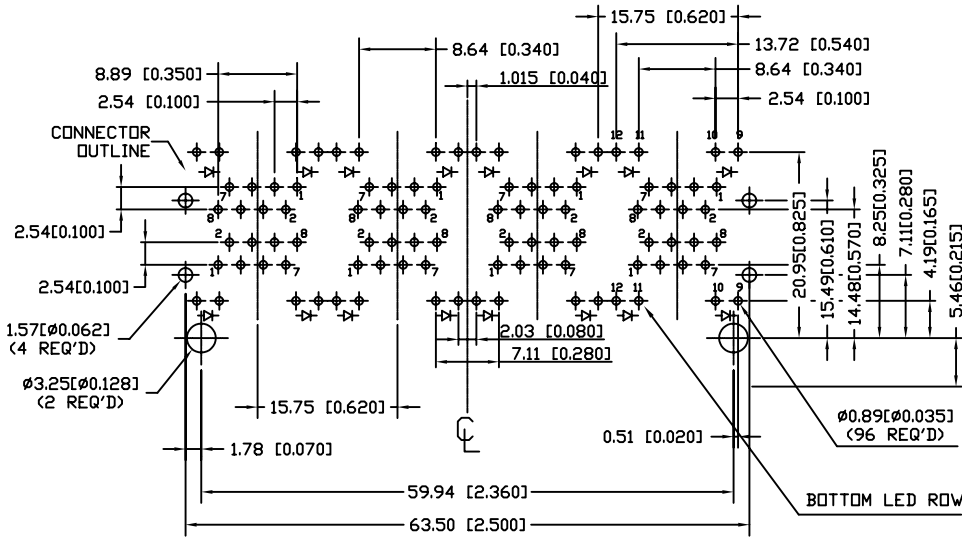
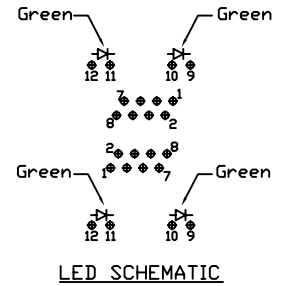


FRONT VIEW

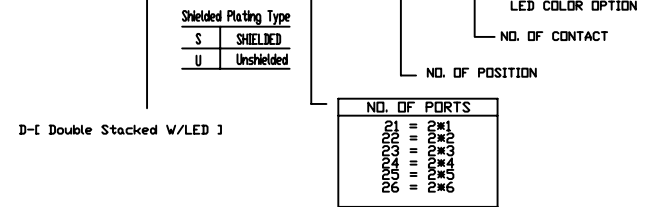


SIDE VIEW



SUGGESTED PCB LAYOUT  
TOP VIEW

XRJD-S-24-8-8-5-TN5



NOTES:

- MATERIALS:  
HOUSING: HIGH TEMP. THERMOPLASTIC, PBT, UL 94V-0, BLACK.  
CONTACTS: T=0.35 mm PHOSPHOR BORNZE, 50u" NICKEL UNDERPLATE ON ALL AREA, 100u" TIN ON TERMINATION END, 3u" GOLD ON CONTACT AREA.  
SHIELD: T=0.25 mm COPPER ZINC ALLOY PLATED WITH NICKEL.
- JACK CAVITY CONFORMS TO FCC RULES AND REGULATIONS PART 68, SUBPART F
- UNSPECIFIED TOLERANCE: .XX ±0.25[0.010]  
.X ±0.30[0.012]

RoHS Compliant

		CONNECTING THE INFORMATION AGE	
		CUSTOMER/NO:	
XMULTIPLE ASIA 4F, No. 347, Yong St., Neihu Chiu, Taipei, Taiwan 11475		XMULTIPLE USA 1402 Los Angeles Ave., Suite G, Simi Valley, CA 93065	
THIS DRAWING IS A CONTROLLED DOCUMENT.			
TITLE: Stacked RJ45 Connectors, W/LED, 8P, 8C, Shielded, Thru Hole, 2 Piece Structure, Lead Free		DWG NO: XRJD-S-24-8-8-5-TN5	
PART NO: XRJD-S-24-8-8-5-TN5		DRAWN: NANCY	
		CHKD: JEFF	
DIMENSIONS		SHEET	
mm[inch ]		1 of 1	
REV		A	
DATE:		06/07/05	