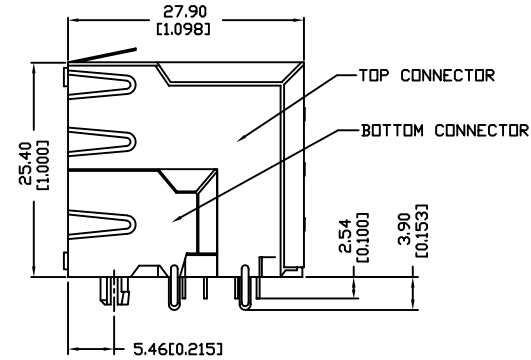
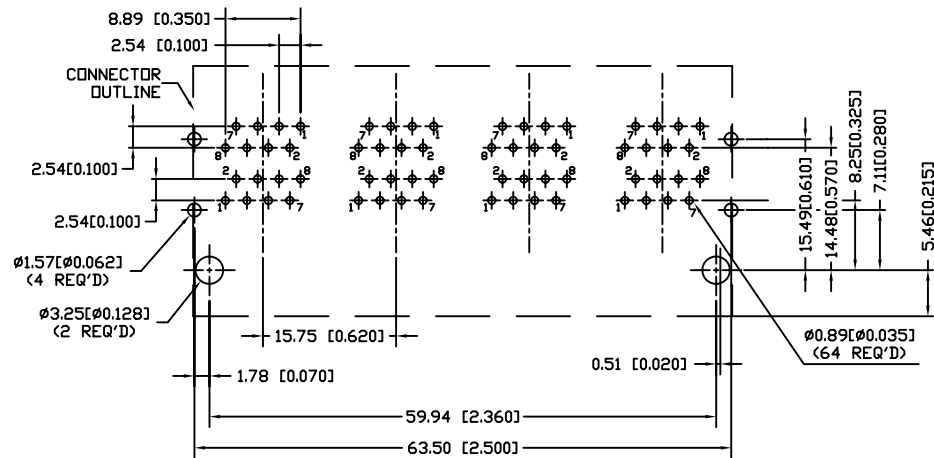


FRONT VIEW



SIDE VIEW

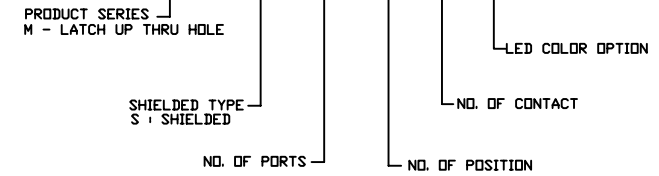


SUGGESTED PCB LAYOUT
TOP VIEW

NOTES:

- MATERIALS:
HOUSING: HIGH TEMP. THERMOPLASTIC, PBT, UL 94V-0, BLACK.
CONTACTS: T=0.35 mm PHOSPHOR BORNEZE, 50u" NICKEL UNDERPLATE
ON ALL AREA, 100u" TIN ON TERMINATION END,
15u" GOLD ON CONTACT AREA.
SHIELD: T=0.25 mm COPPER ZINC ALLOY WITH 30u" TIN-LEAD ON TERMINATION END.
- JACK CAVITY CONFORMS TO FCC RULES AND REGULATIONS PART 68, SUBPART F
- UNSPECIFIED TOLERANCE: .XX ±0.25[0.010]
.X ±0.30[0.012]

XRJD-S-24-8-8-0



RoHS Compliant

X MULTIPLE		THE INFORMATION AGE	
XMULTIPLE ASIA 4F, No. 347, Yang Guang St., Neihu Chiu, Taipei, Taiwan 11475		XMULTIPLE USA 1420 Los Angeles Ave., Suite G, Simi Valley, CA 93065	
THIS DRAWING IS A CONTROLLED DOCUMENT.		G/NO:	
TITLE: Stacked RJ45 Connectors, W/O LED, 8P,8C, Shielded, Thru Hole, 2 Piece Structure		DWG NO: XRJD-S-24-8-8-0	
PART NO: XRJD-S-24-8-8-0		DRAWN: RUNES	
		CHKD: JEFF	
		DATE: Aug.14,06	
UNIT mm[inch]	SHEET 1 of 1	REV 01	