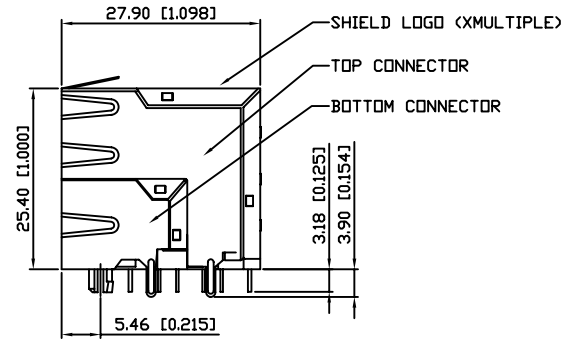
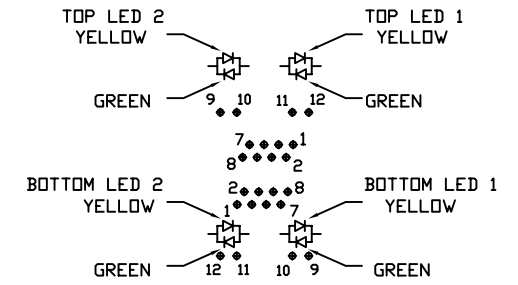


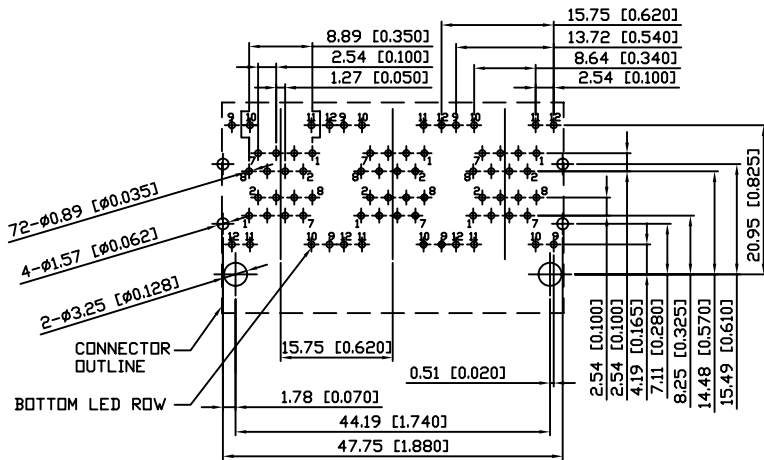
FRONT VIEW



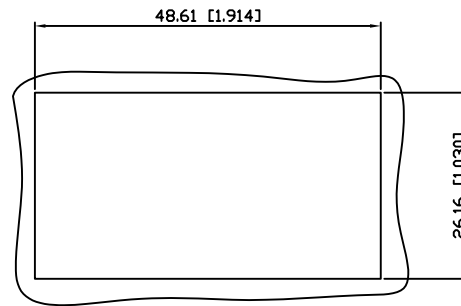
SIDE VIEW



LED SCHEMATIC

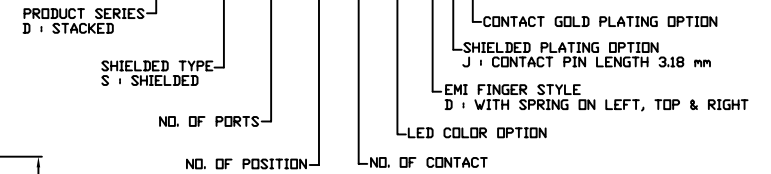


SUGGESTED PCB LAYOUT
TOP VIEW
DIMENSIONAL TOLERANCE: .XX ±0.08[0.003]



RECOMMENDED
PANEL CUTOUT DIMENSION

XRJD-S-23-8-8-8-DJ1



NOTES:

- MATERIALS:
HOUSING: HIGH TEMP. THERMOPLASTIC, PBT, UL 94V-0, BLACK.
CONTACTS: T=0.35 mm PHOSPHOR BRONZE, NICKEL UNDERPLATE ON ALL AREA, TIN ON TERMINATION END, HARD GOLD ON CONTACT AREA.
SHIELD: T=0.25 mm COPPER ZINC ALLOY PLATED WITH NICKEL
- OPERATING TEMPERATURE: -40°C ~ +85°C
- JACK CAVITY CONFORMS TO FCC RULES AND REGULATIONS PART 68, SUBPART F
- UNSPECIFIED TOLERANCE: .XX ±0.25[0.010]
.X ±0.30[0.012]

RoHS Compliant

| | | | |
|---|--|---|--|
| X MULTIPLE | | THE INFORMATION AGE | |
| XMULTIPLE ASIA 4F, No. 347, Yang Guang St., Neihu, Taipei, Taiwan 11475 | | XMULTIPLE USA 1420 Los Angeles Ave., Suite G, Simi Valley, CA 93065 | |
| THIS DRAWING IS A CONTROLLED DOCUMENT. | | G/NO: | |
| TITLE: Stacked RJ45 Connectors, w/ LED, 8P,8C, Shielded, Thru Hole, 2 Piece Structure | | DWG NO: XRJD-S-23-8-8-8-DJ1 | |
| PART NO: XRJD-S-23-8-8-8-DJ1 | | DRAWN: IVAN | |
| | | CHKD: TARA | |
| UNIT: mm[inch] | | SHEET: 1 of 1 | |
| REV: 01 | | DATE: Jun.19,08 | |