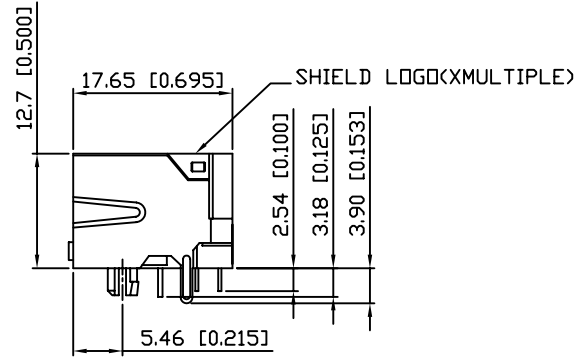
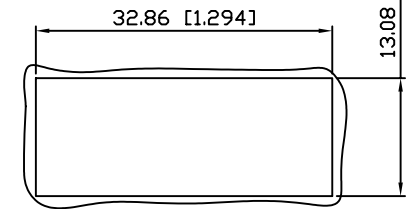


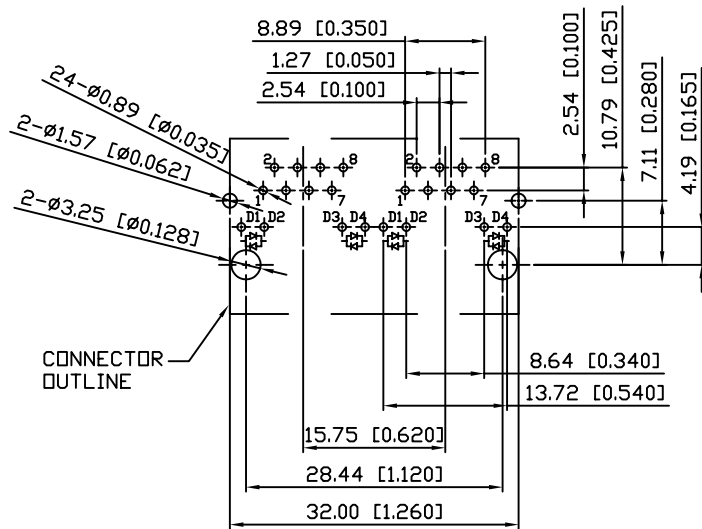
FRONT VIEW



SIDE VIEW

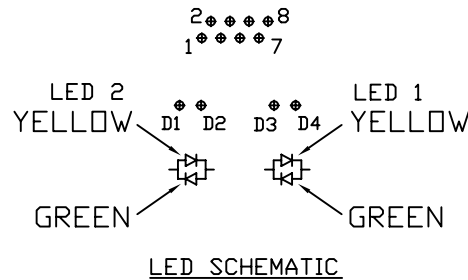


RECOMMENDED
PANEL CUTOUT DIMENSION

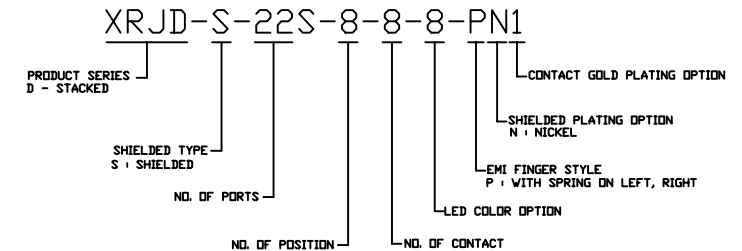


SUGGESTED PCB LAYOUT
TOP VIEW

DIMENSIONAL TOLERANCE: .XX ±0.08[0.003]



LED SCHEMATIC



RoHS Compliant

NOTES:

- MATERIALS:
HOUSING: HIGH TEMP. THERMOPLASTIC, PBT, UL 94V-0, BLACK
CONTACTS: T=0.35 mm PHOSPHOR BORNEZE, 50µ" NICKEL UNDERPLATE ON ALL AREA, 100µ" TIN ON TERMINATION END, 15µ" GOLD ON CONTACT AREA.
SHIELD: T=0.25 mm COPPER ZINC ALLOY PLATED WITH NICKEL
- OPERATING TEMPERATURE: -40°C ~ +85°C
- JACK CAVITY CONFORMS TO FCC RULES AND REGULATIONS PART 68, SUBPART F
- UNSPECIFIED TOLERANCE: .XX ±0.25[0.010]
.X ±0.30[0.012]

<h1>X MULTIPLE</h1>		CONNECTING THE INFORMATION AGE	
XMULTIPLE ASIA 4F, No. 347, Yang Guang St., Neihu Chiu, Taipei, Taiwan 11475		XMULTIPLE USA 1420 Los Angeles Ave., Suite G, Simi Valley, CA 93065	
G/NO:		DWG NO:	
THIS DRAWING IS A CONTROLLED DOCUMENT.			
TITLE:		XRJD-S-22S-8-8-8-PN1	
DRAWN:		RUNES	
PART NO:		XRJD-S-22S-8-8-8-PN1	
CHKD:		JEFF	
DATE:		Dec.20,06	
	UNIT	SHEET	REV
	[mm]inch	1 of 1	01