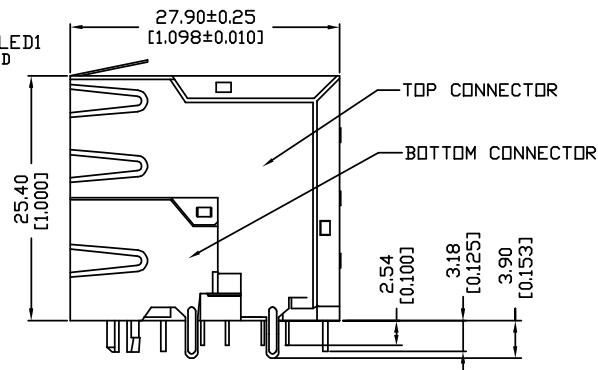
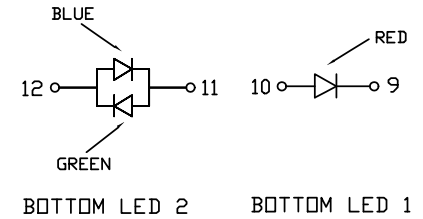
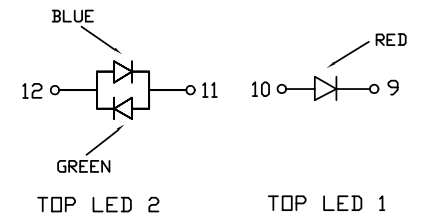


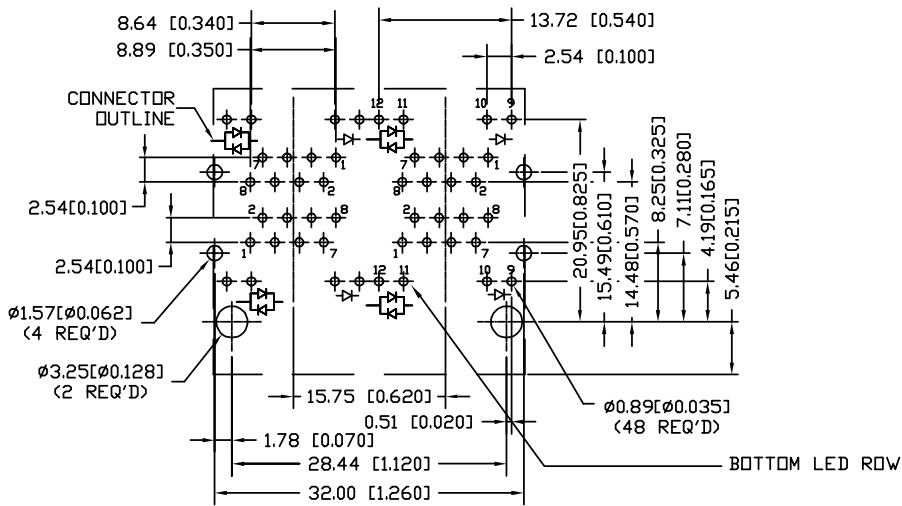
FRONT VIEW



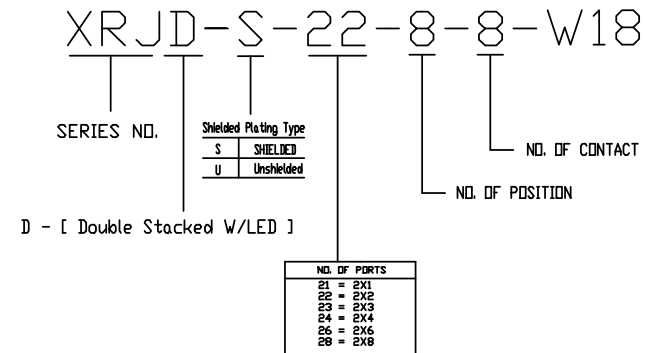
SIDE VIEW



LED SCHEMATIC



SUGGESTED PCB LAYOUT
TOP VIEW



RoHS Compliant

NOTES:

- MATERIALS:
HOUSING: HIGH TEMP. THERMOPLASTIC, BLACK, UL 94V-0
CONTACTS: T=0.35 mm PHOSPHOR BORNEZE, 50µ" NICKEL UNDERPLATE ON ALL AREA, 100µ" TIN ON TERMINATION END, 15µ" GOLD ON CONTACT AREA.
SHIELD: T=0.25 mm COPPER ZINC ALLOY PLATED WITH NICKEL
- JACK CAVITY CONFORMS TO FCC RULES AND REGULATIONS PART 68, SUBPART F
- UNSPECIFIED TOLERANCE: .XX ±0.25[0.010]
.X ±0.30[0.012]

		CONNECTING THE INFORMATION AGE	
		XMULTIPLE ASIA 4F, No. 347, Yang Guang St., Neihu Chiu, Taipei, Taiwan 11475	
XMULTIPLE USA 1402 Los Angeles Ave. Suite G, Simi Valley, CA 93065		G/NO:	
THIS DRAWING IS A CONTROLLED DOCUMENT.			
TITLE: Stacked RJ45 Connectors, W/LED, 8P, 8C, Shielded, Thru Hole, 2 Piece Structure		DWG NO: XRJD-S-22-8-8-W18	
PART NO: XRJD-S-22-8-8-W18		DRAWN: STEVEN	
		DIMENSIONS	REV
		[mm]inch	A
SHEET		DATE:	
1 of 1			