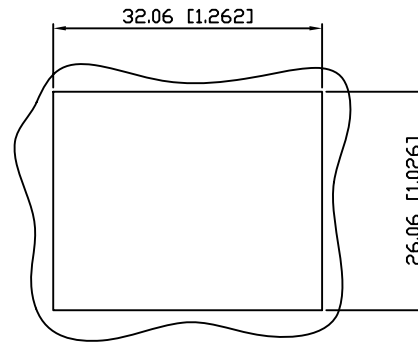
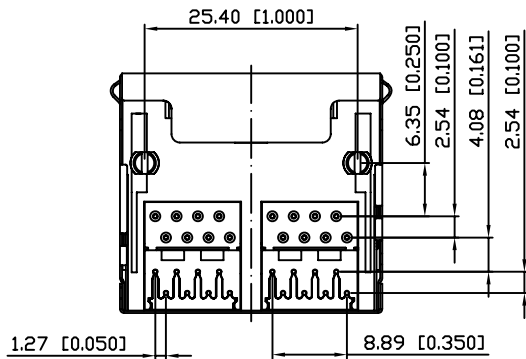
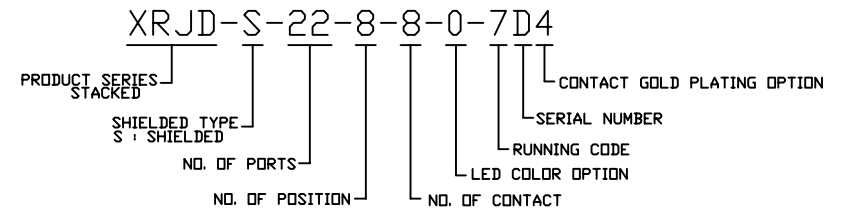


SUGGESTED PCB LAYOUT
TOP VIEW
DIMENSIONAL TOLERANCE: .XX ±0.08[0.003]



RECOMMENDED
PANEL CUTOUT DIMENSION



NOTES:

- MATERIALS:
HOUSING: PBT, THERMOPLASTIC UL-94V-0
COLOR-BLACK
CONTACTS: DIA 0.45MM PHOSPHOR BRONZE
6u" GOLD PLATING OVER NICKEL
SHIELD: BRASS, NICKEL PLATING
- OPERATING TEMPERATURE: -40°C ~ +85°C
- CAVITY CONFORMS TO FCC RULES AND REGULATIONS PART 68, SUBPART F.
- UNSPECIFIED TOLERANCE: .XX ±0.25[0.010]
.X ±0.30[0.012]

RoHS Compliant

X MULTIPLE		THE INFORMATION AGE	
XMULTIPLE ASIA 4F, No. 347, Yang Guang St., Neihu, Taipei, Taiwan 11475		XMULTIPLE USA 1420 Los Angeles Ave., Suite G, Simi Valley, CA 93065	
THIS DRAWING IS A CONTROLLED DOCUMENT.		G/NO: 82	
TITLE: Stacked RJ45 Connectors, w/o LED, 8P,8C, Shielded, Thru Hole.		DWG NO: XRJD-S-22-8-8-0-7D4	
PART NO: XRJD-S-22-8-8-0-7D4		DRAWN: TOM	
		UNIT: mm[inch]	SHEET: 1 of 1
		REV: 01	DATE: Jul,23,07
		CHKD: JEFF	