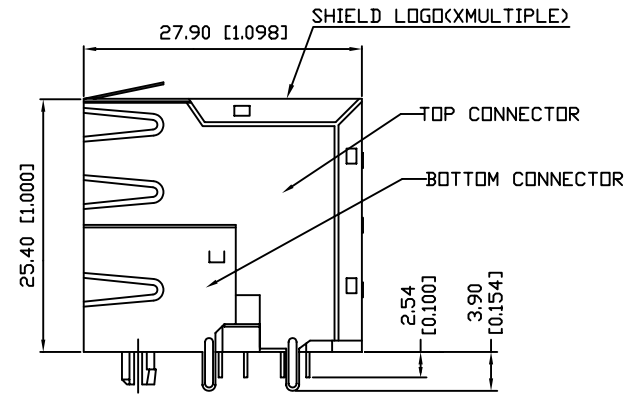
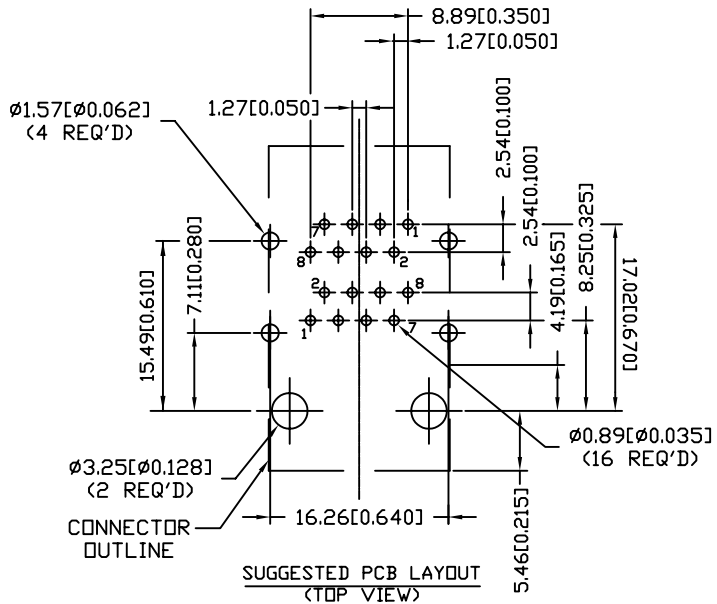


FRONT VIEW



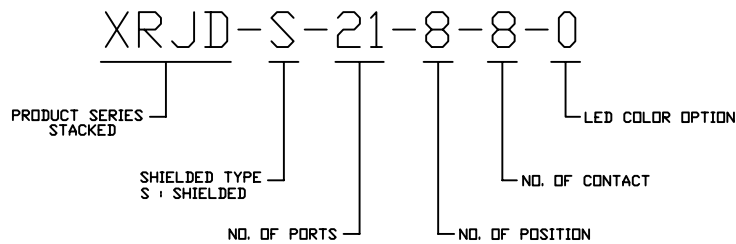
SIDE VIEW



NOTES:

1. MATERIALS:
HOUSING: HIGH TEMP. THERMOPLASTIC, PBT, UL 94V-0, BLACK.
CONTACTS: 0.014 INCHES (0.35 MILLIMETERS) THICK PHOSPHOR BRONZE PLATED WITH 100 MICROINCHES (2.53 MICROMETERS) MINIMUM THICK TIN IN SOLDER AREA.
15 MICROINCHES (0.38 MICROMETERS) MINIMUM GOLD IN LOCALIZED PLATE AREA.
ENTIRE CONTACTS PLATED WITH 50 MICROINCHES (1.27 MICROMETERS) MINIMUM THICK NICKEL.
2. JACK CAVITY CONFORMS TO FCC RULES AND REGULATIONS PART 68, SUBPART F
3. SHIELDED: 0.0098 INCHES (0.25 MILLIMETERS) THICK COPPER ZINC ALLOY PLATED WITH 30 MICROINCHES (0.762 MICROMETERS) MINIMUM THICK NICKEL
4. UNSPECIFIED TOLERANCE: .XX ±0.25[0.010]
.X ±0.30[0.012]

RoHS Compliant



<h1>X MULTIPLE</h1>		CONNECTING THE INFORMATION AGE	
XMULTIPLE ASIA 4F, No. 347, Yang Guang St., Neihu Chu, Taipei, Taiwan 11475		XMULTIPLE USA 1420 Los Angeles Ave., Suite G, Simi Valley, CA 93065	
THIS DRAWING IS A CONTROLLED DOCUMENT.		G/NO:	
TITLE: Stacked RJ45 Connectors, w/d LED, 8P,8C, Shielded, Thru Hole, 2 Piece Structure.		DVG NO: XRJD-S-21-8-8-0	
PART NO: XRJD-S-21-8-8-0		DRAWN: RUNES	
		CHKD: JEFF	
		DATE: Mar.30,06	
UNIT mm[inch]	SHEET 1 of 1	REV A	