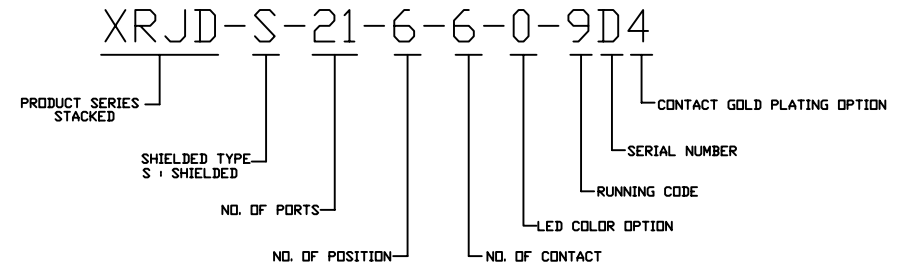
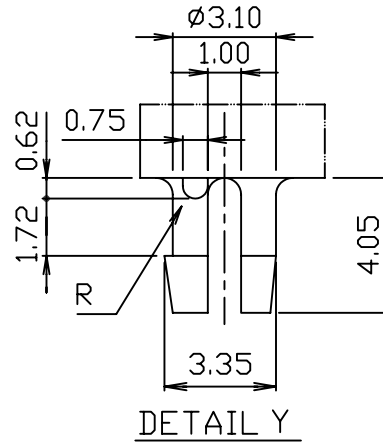
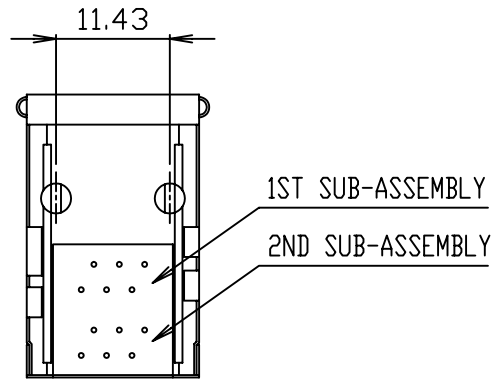


RECOMMENDED PCB LAYOUT  
TOP VIEW



NOTES:

- MATERIALS:  
HOUSING-PBT POLYESTER UL-94V-0  
MIXED GLASS FIBER.  
STANDARD COLOR-BLACK  
CONTACTS-0.35mm THICK PHOS-BRONZE  
PLATED WITH 6u" AND  
GOLD FLASH IN SOLDER AREA.  
SHIELD-0.25mm THICK COPPER ALLOY,  
PLATED WITH NICKEL.
- CAVITY CONFIRMS TO FCC RULES AND  
REGULATIONS PART 68,SUBPART F.
- UNSPECIFIED TOLERANCE: .XX ±0.25[0.010]  
.X ±0.30[0.012]

RoHS Compliant

<b>X MULTIPLE</b>		CONNECTING THE INFORMATION AGE	
X MULTIPLE ASIA 4F, No. 347, Yang Guang St., Neihu Chu, Taipei, Taiwan 11475		X MULTIPLE USA 1420 Los Angeles Ave., Suite G, Simi Valley, CA 93065	
THIS DRAWING IS A CONTROLLED DOCUMENT.		G/NO:	
TITLE: 2X1 6 POSITIONS RIGHT ANGLE SHIELDED PCB JACK		DWG NO: XRJD-S-21-6-6-0-9D4	
PART NO: XRJD-S-21-6-6-0-9D4		DRAWN: AUSTIN	
		UNIT	SHEET
		mm[inch]	1 of 1
		REV	DATE
		A	Apr.20,06