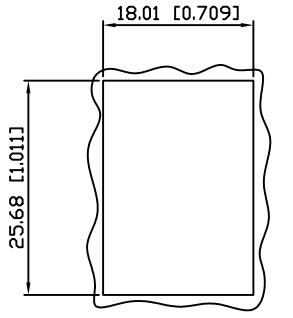
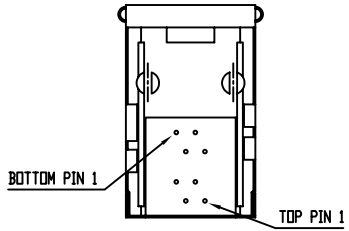
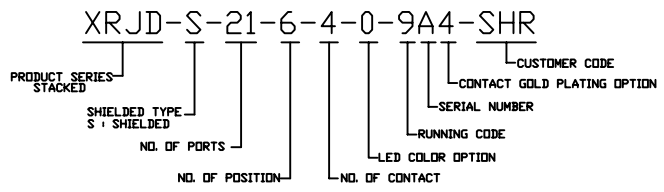


SUGGESTED PCB LAYOUT
TOP VIEW
DIMENSIONAL TOLERANCE: .XX ±0.08[0.003]

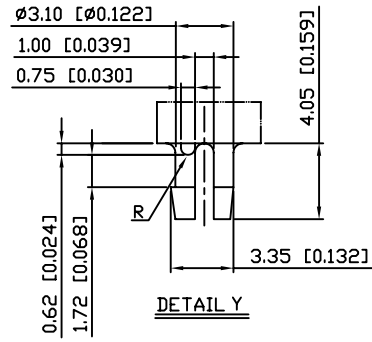


RECOMMENDED
PANEL CUTOUT DIMENSION



NOTES:

- MATERIALS:
HOUSING: PBT POLYESTER UL-94V-0
MIXED GLASS FIBER.
STANDARD COLOR-BLACK
CONTACTS: 0.35mm THICK PHOS-BRONZE
PLATED WITH 6u" GOLD
AND GOLD FLASH IN SOLDER AREA.
SHIELD: 0.25mm THICK COPPER ALLOY,
PLATED WITH NICKEL.
- OPERATING TEMPERATURE : -40°C ~85°C
- CAVITY CONFORMS TO FCC RULES AND REGULATIONS
PART 68, SUBPART F.
- UNSPECIFIED TOLERANCE: .XX ±0.25[0.010]
.X ±0.30[0.012]



DETAIL Y

RoHS Compliant

		CONNECTING THE INFORMATION AGE		
				MULTIPLE ASIA 4F, No. 347, Yang Guang St., Neihu, Taipei, Taiwan 11475
THIS DRAWING IS A CONTROLLED DOCUMENT.				DWG NO: XRJD-S-21-6-4-0-9A4-SHR
TITLE: STACKED RJ11 CONNECTORS, W/O LED, 6P,4C, SHIELDED, THRU HOLE			DRAWN: RUNES	
PART NO: XRJD-S-21-6-4-0-9A4-SHR			CHKD: TARA	
	UNIT mm[Inch]	SHEET 1 of 1	REV 01	
			DATE: May.15.08	