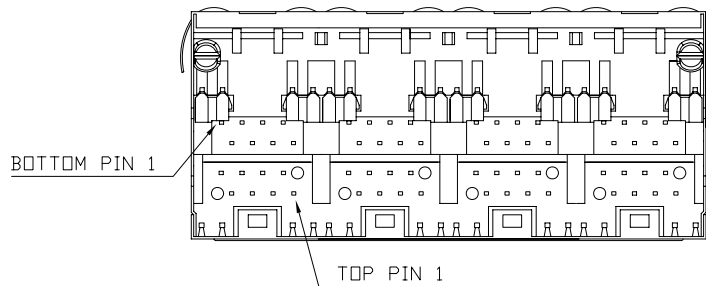
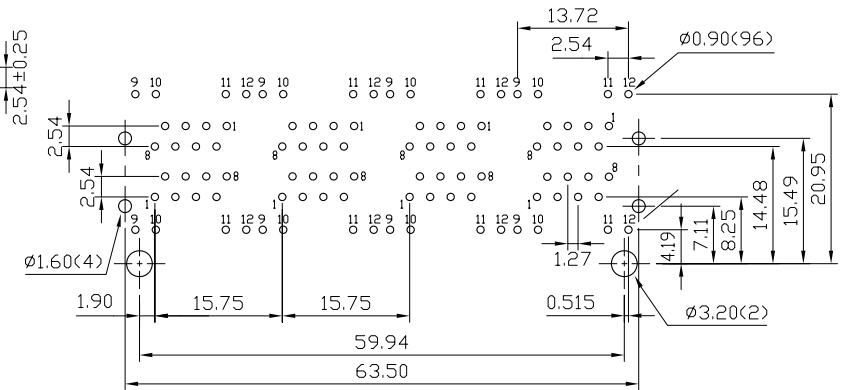
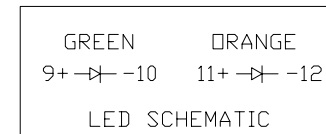


- MATERIALS:
- BOTTOM HOUSING-DSM STANYL TE250F6 (NYLON-46)
HEAT DEFLECTION TEMP.290°
BLACK COLOR, UL94V-0
 - TOP HOUSING-PBT POLYESTER UL94V-0
MIXED GLASS FIBER, BLACK COLOR.
 - CONTACTS-0.35mm THICK PHOS-BRONZE PLATED
WITH 15u" HARD GOLD AND GOLD FLASH IN
SOLDER AREA.
 - SHIELD-0.25mm THICK COPPER ALLOY,
PLATED WITH NICKEL.
CAVITY CONFIRMS TO FCC RULES AND REGULATIONS



DO NOT SCALE DRAWING	TOLERANCES UNLESS OTHERWISE NOTED	INCH	MM	DR. <i>M.L.HUANG</i>	DATE SEP-05 '07	XMULTIPLE	
THIRD ANGLE PROJECTION	LINEAR $\frac{\text{MM}}{\text{INCH}}$	$00 \pm .01$ $000 \pm .005$ $0000 \pm .002$	0.0 ± 0.25 0.00 ± 0.13 0.000 ± 0.05	CK'D <i>M.CHANG</i>	SEP-05 '07		TITLE 2X4 STACKABLE MODULAR JACK RJ45, WITH LEDS AND SHIELD
MM INCH	ANGLE $\pm 0^\circ 30'$	RADII	$+ 0.40$ $- 0.15$	APP'D <i>W.J.YANG</i>	SEP-06 '07		SCALE SIZE DWG.NO. XRJD-1S-24-8-8-W38-9B1