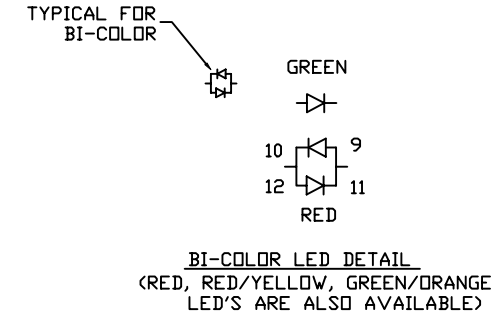
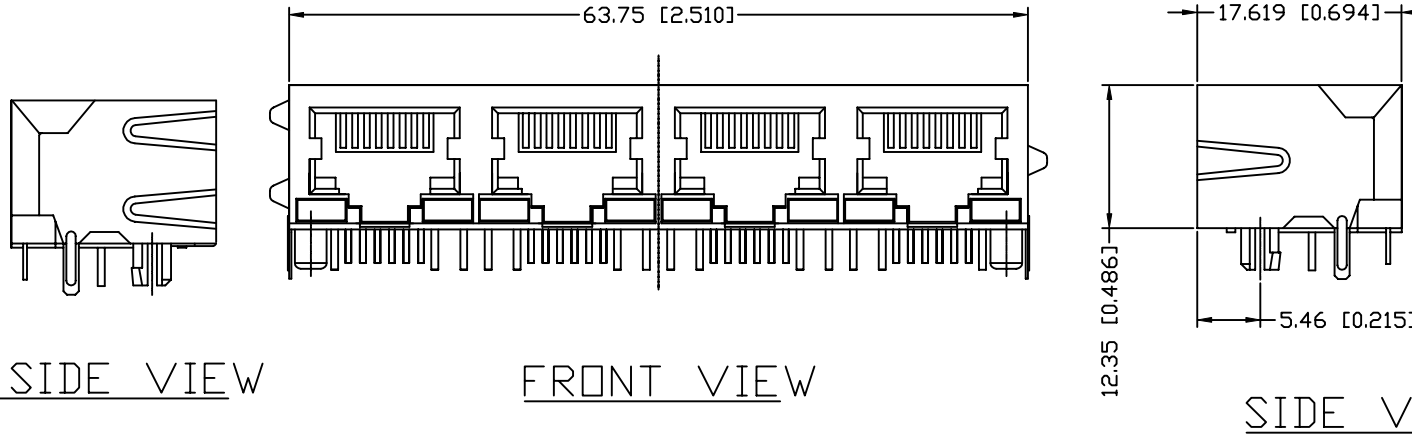


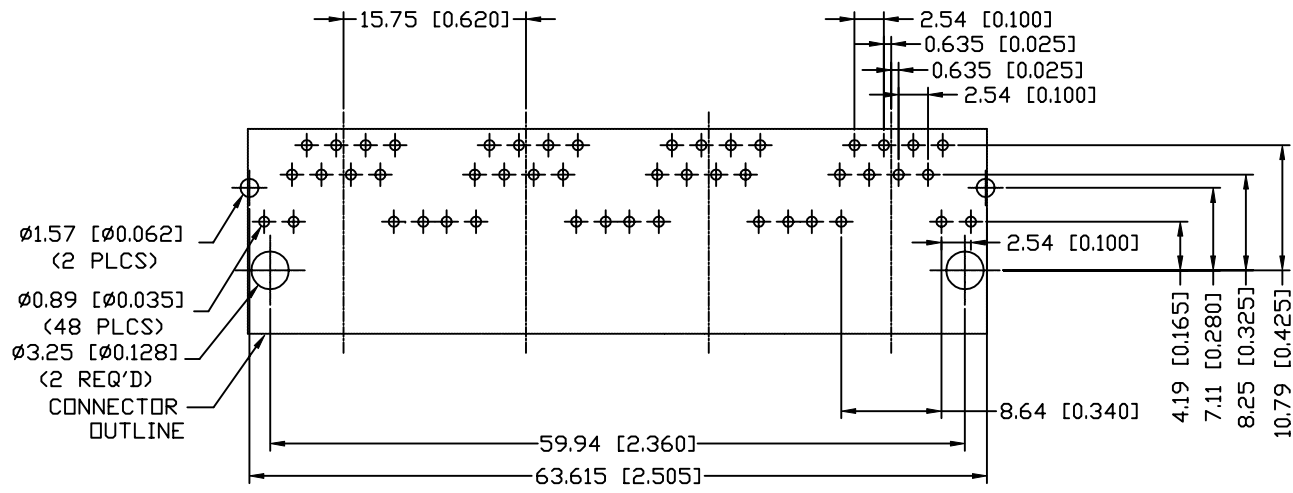
REVISIONS					
ECO	ZONE	REV	DESCRIPTION	DATE	APPROVED
		A	INITIAL RELEASE		Chen



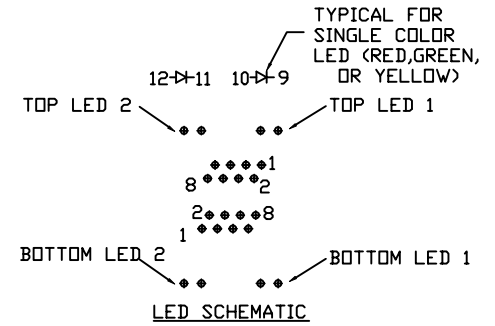
L.H. SIDE VIEW

FRONT VIEW

SIDE VIEW



PCB LAYOUT



LED Color Options Table

LED Color Options		LED DASH OPTION
Position 2(Left)	Position 1(Right)	
No LED	No LED	0
Yellow	Green	1
No LED	Green	2
Yellow	No LED	3
Green	Yellow	4
Green	Green	5
Yellow	Yellow	6
Orange/Green	Orange/Green	7
Yellow/Green	Yellow/Green	8
Orange/Green	Yellow	9

- MATERIALS:
HOUSING: HIGH TEMP. THERMOPLASTIC, BLACK, UL 94V-0
CONTACTS: 0.014 INCHES (0.35 MILLIMETERS) THICK PHOSPHOR BRONZE PLATED WITH 150 MICRONS (3.81 MICROMETERS) MINIMUM THICK TIN LEAD IN SOLDER AREA. 15 MICRONS (0.38 MICROMETERS) MINIMUM GOLD IN LOCALIZED PLATE AREA. ENTIRE CONTACTS PLATED WITH 50 MICRONS (1.27 MICROMETERS) MINIMUM THICK NICKEL.
SHIELDED: 0.0098 INCHES (0.25 MILLIMETERS) THICK COPPER ZINC ALLOY PLATED WITH 30 MICRONS (0.762 MICROMETERS) MINIMUM THICK NICKEL.
- JACK CAVITY CONFORMS TO FCC RULES AND REGULATIONS PART 68, SUBPART F
- PART NUMBER: XRJD-S-24-8-8-X

NOTES: UNLESS OTHERWISE SPECIFIED
UNSPECIFIED TOLERANCE: .XX±0.01[0.25]
.X±0.006[0.15]

REFER TO LED OPTIONS TABLE FOR ORDERING CODES

XMULTIPLE CONNECTING THE INFORMATION AGE

XMULTIPLE ASIA 3F, NO. 60, Jhuosen St., Taipei, Taiwan, R.O.C.		XMULTIPLE USA 3055 Old Conaso Road Newbury Park, CA 91380		S/N: DWG NO: PDS24-XRJD21
THIS DRAWING IS A CONTROLLED DOCUMENT.				
TITLE: Stacked RJ45, Connectors, w/LED, 8P, 8C, Shielded, Thru Hole, 2 Piece Structure				
PART NO: XRJD-S-24S-8-8-X				
DIMENSIONS [mm] inch		SHEET 1 of 1		REV A
DATE: 09/26/01				DRWN: Y. Chen CHKD: G. TSAI