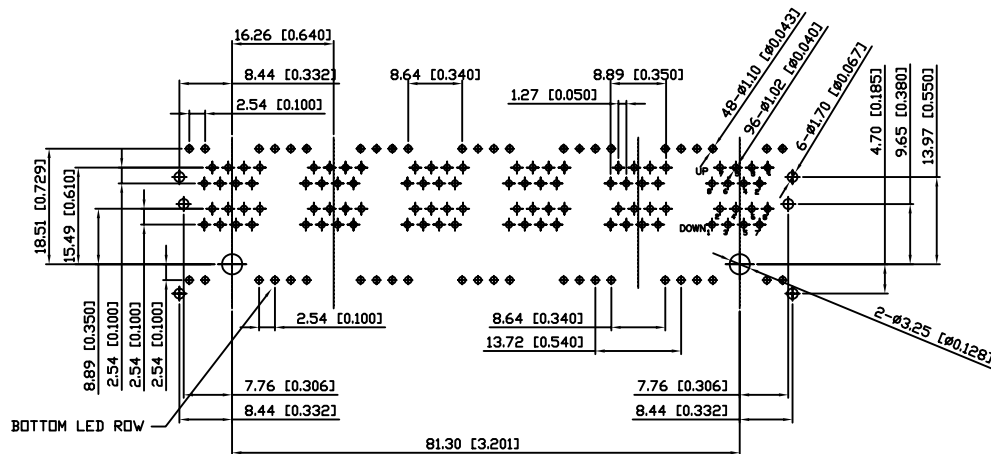


RECOMMENDED
PANEL CUTOUT DIMENSION

NOTES:

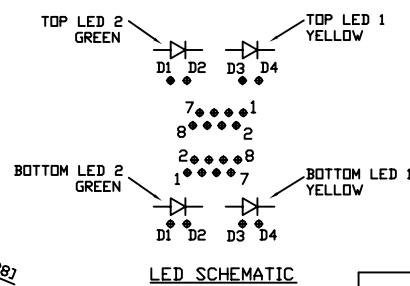
1. MATERIALS:
HOUSING: PBT POLYESTER UL-94V-0
MIXED GLASS FIBER.
STANDARD COLOR-BLACK
CONTACTS: 0.35mm THICK PHOS-BRONZE
PLATED WITH 15u' GOLD
AND TIN IN SOLDER AREA.
SHIELD: 0.25mm THICK COPPER ALLOY,
PLATED WITH NICKEL.
2. OPERATING TEMPERATURE : 0°C ~ 70°C
3. CAVITY CONFORMS TO FCC RULES AND REGULATIONS
PART 68, SUBPART F.
4. UNSPECIFIED TOLERANCE: .XX ±0.25[0.010]
.X ±0.30[0.012]



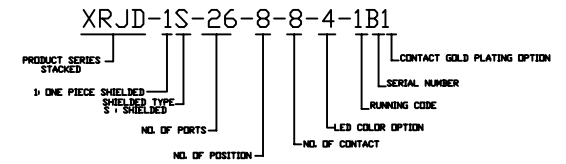
SUGGESTED PCB LAYOUT

TOP VIEW

DIMENSIONAL TOLERANCE: .XX ±0.08[0.003]



LED SCHEMATIC



RoHS Compliant

		CONNECTING THE INFORMATION AGE		
				XMULTIPLE ASIA 4F, No. 347, Yang Guang St., Neihu, Taipei, Taiwan 11475
THIS DRAWING IS A CONTROLLED DOCUMENT.				DWG NO: XRJD-1S-26-8-8-4-1B1
TITLE: Stacked RJ45 Connectors, W/LED, 8P, 8C, Shielded, Thru-Hole				DRAWN: IVAN
PART NO: XRJD-1S-26-8-8-4-1B1				CHKD: JEFF
		UNIT mm [inch]	SHEET 1 of 1	REV 01
DATE: Jan. 21, 08				