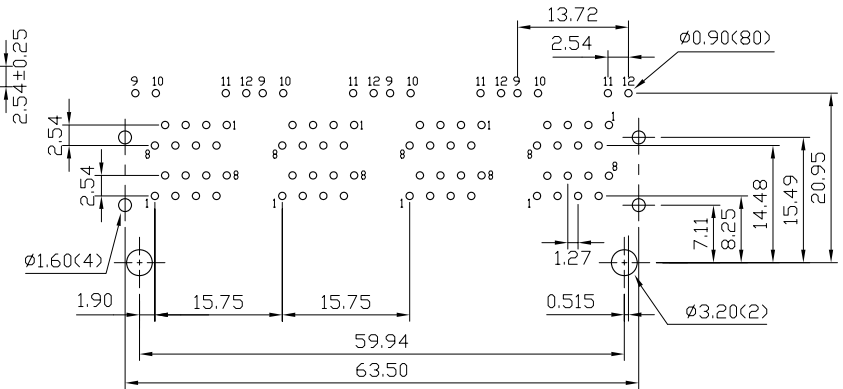
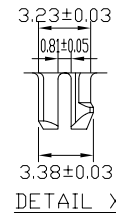
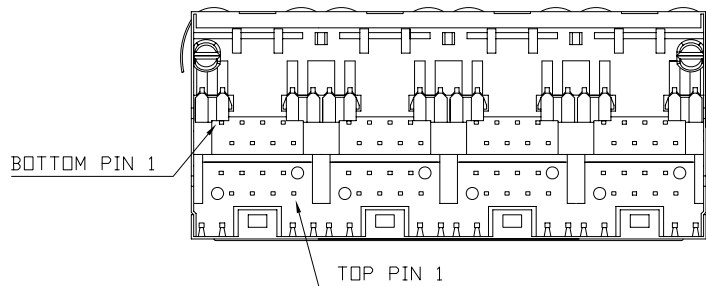
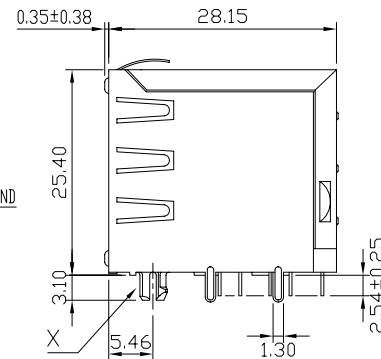
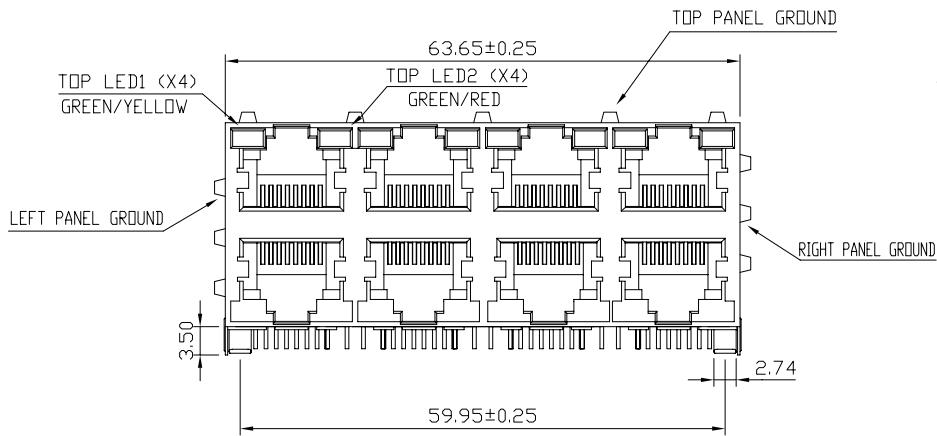


- MATERIALS:
- BOTTOM HOUSING-DSM STANYL TE250F6 (NYLON-46)  
HEAT DEFLECTION TEMP.290°  
BLACK COLOR, UL94V-0
  - TOP HOUSING-PBT POLYESTER UL94V-0  
MIXED GLASS FIBER, BLACK COLOR.
  - CONTACTS-0.35mm THICK PHOS-BRONZE PLATED  
WITH HARD GOLD AND GOLD FLASH IN  
SOLDER AREA.
  - SHIELD-0.25mm THICK COPPER ALLOY,  
PLATED WITH NICKEL.  
CAVITY CONFIRMS TO FCC RULES AND REGULATIONS



PCB LAYOUT  
Ref.

DO NOT SCALE DRAWING	TOLERANCES UNLESS OTHERWISE NOTED	INCH	MM	DR. <i>M.L.HUANG</i>	DATE MAR-03 '10	<i><b>XMULTIPLE</b></i>	
THIRD ANGLE PROJECTION	LINEAR $\frac{\text{MM}}{\text{INCH}}$	$00 \pm .01$ $000 \pm .005$ $0000 \pm .002$	$0.0 \pm 0.25$ $0.00 \pm 0.13$ $0.000 \pm 0.05$	CK'D <i>M.CHANG</i>	MAR-03 '10		TITLE 2X4 STACKABLE MODULAR JACK RJ45, WITH LEDS AND SHIELD
MM INCH	ANGLE $\pm 0^\circ 30'$	RADII	$+ 0.40$ $- 0.15$	APP'D <i>W.J.YANG</i>	MAR-03 '10		SCALE SIZE DWG.NO. XRJD-1S-24-8-8-W47-9B1-LM