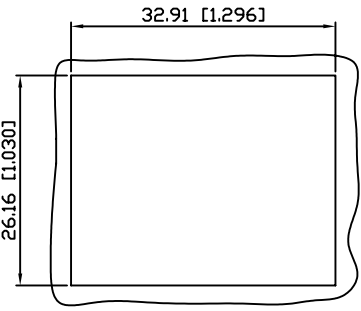
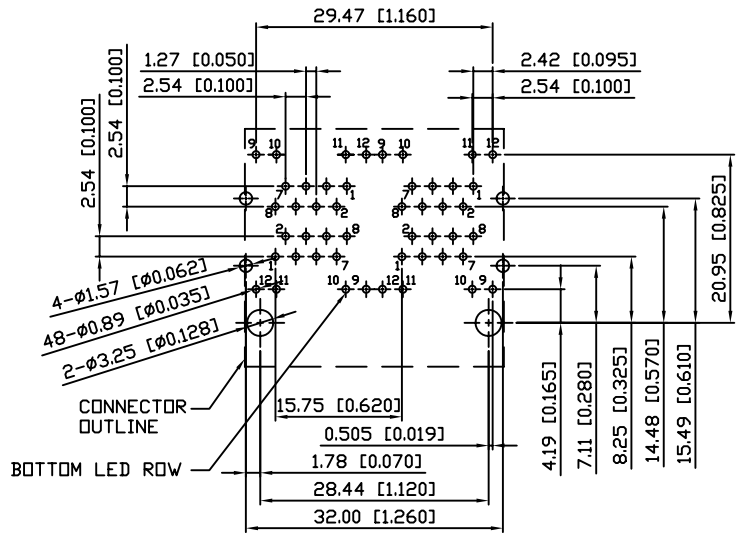
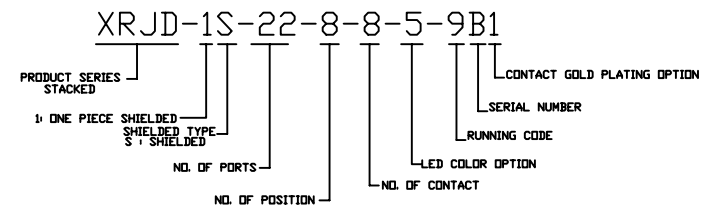


NOTES:

- MATERIALS:  
 TOP HOUSING-PBT POLYESTER UL94V-0  
 MIXED GLASS FIBER, BLACK COLOR.  
 BOTTOM HOUSING-DSM STANYL TE250F6 (NYLON-46)  
 UL94V-0, BLACK COLOR  
 CONTACTS-0.35mm THICK PHOS-BRONZE C5210H PLATED  
 50u" NICKEL UNDERPLATE ON ALL AREA,  
 WITH 15u" HARD GOLD AND GOLD FLASH  
 IN SOLDER AREA.  
 SHIELD-0.25mm THICK COPPER ALLOY,  
 PLATED WITH NICKEL.
- OPERATING TEMPERATURE: -40°C~+85°C
- CAVITY CONFORMS TO FCC RULES AND REGULATIONS  
 PART 68,SUBPART F.
- UNSPECIFIED TOLERANCE: .XX ±0.25 [0.001]  
 .X ±0.30 [0.011]



RECOMMENDED  
 PANEL CUTOUT DIMENSION



RoHS Compliant

SUGGESTED PCB LAYOUT  
 TOP VIEW  
 DIMENSIONAL TOLERANCE: .XX ±0.08[0.003]

X MULTIPLE		THE INFORMATION AGE	
XMULTIPLE ASIA 4F, No. 347, Yang Guang St., Neihu Chiu, Taipei, Taiwan 11475		XMULTIPLE USA 1420 Los Angeles Ave., Suite G, Simi Valley, CA 93065	
THIS DRAWING IS A CONTROLLED DOCUMENT.		G/NO: DWG NO: XRJD-1S-22-8-8-5-9B1	
TITLE: Stacked RJ45 Connectors, w/LED, 8P,8C, Shielded, Thru Hole		DRAWN: IVAN	
PART NO: XRJD-1S-22-8-8-5-9B1		CHKD: TARA	
		UNIT mm[inch]	SHEET 1 of 1
		REV A	DATE: Jul.14,08