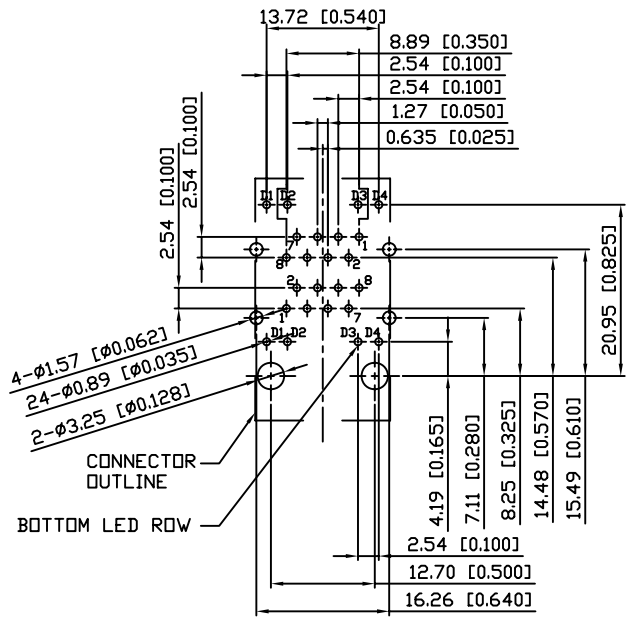
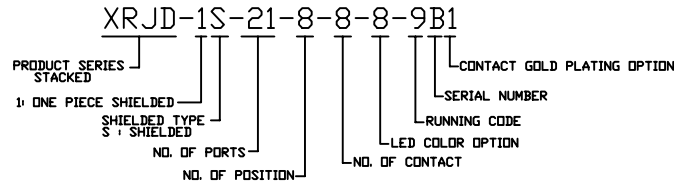
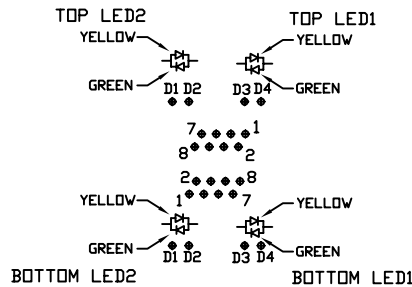


NOTES:

- MATERIALS:
  - TOP HOUSING-PBT POLYESTER UL94V-0 MIXED GLASS FIBER, BLACK COLOR.
  - BOTTOM HOUSING-DSM STANYL TE250F6 (NYLON-46) BLACK COLOR, UL94V-0
  - CONTACTS-0.35mm THICK PHOS-BRONZE C5210H PLATED 50u" NICKEL UNDERPLATE ON ALL AREA, WITH 15u" GOLD AND GOLD FLASH IN SOLDER AREA.
  - SHIELD-0.25mm THICK COPPER ALLOY, PLATED WITH NICKEL.
- OPERATING TEMPERATURE: -40°C~+85°C
- CAVITY CONFORMS TO FCC RULES AND REGULATIONS PART 68, SUBPART F.
- UNSPECIFIED TOLERANCE: .XX ±0.25 [0.001] X ±0.30 [0.011]



SUGGESTED PCB LAYOUT TOP VIEW  
DIMENSIONAL TOLERANCE: .XX ±0.08 [0.003]



LED SCHEMATIC

RoHS Compliant

		THE INFORMATION AGE	
		G/NO: 9766	DWG NO: XRJD-1S-21-8-8-8-9B1
THIS DRAWING IS A CONTROLLED DOCUMENT.			
TITLE: Stacked RJ45 Connectors, w/LED, 8P,8C, Shielded, Thru Hole		DRAWN: TOM	
PART NO: XRJD-1S-21-8-8-8-9B1		CHKD: JEFF	
		UNIT: mm[inch]	SHEET: 1 of 1
		REV: A	DATE: Sep.28,07