

1. MECHANICAL DIMENSIONS :

NOTES:

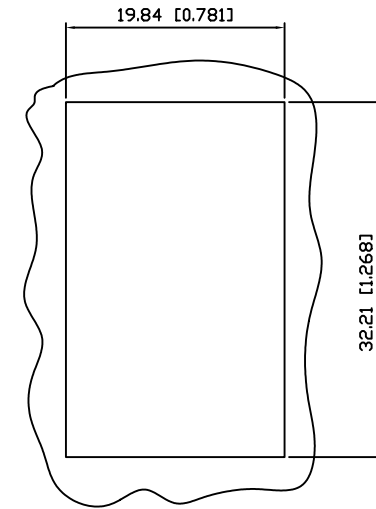
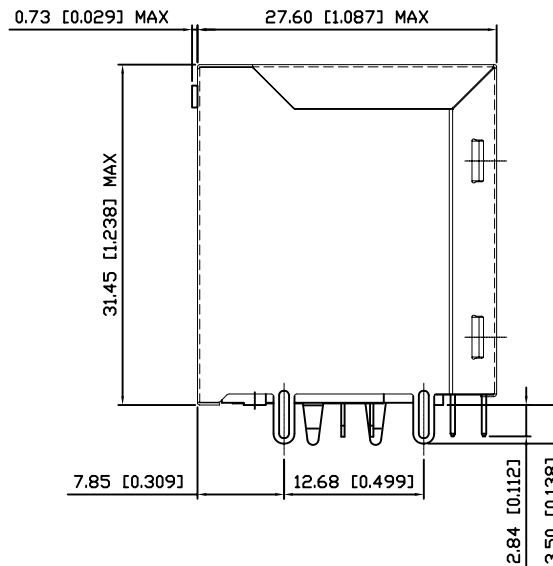
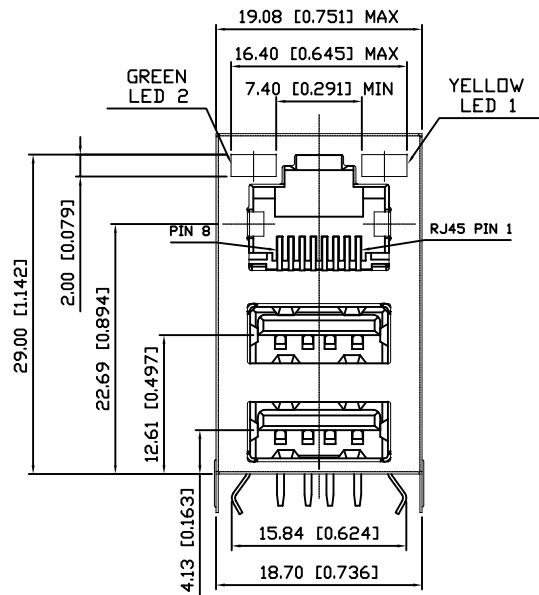
1. RJ45 MECHCNICAL:

PLASTIC HOUSING: HIGH TEMP. THERMOPLASTIC
 PBT, BLACK, UL 94V-0
 FRONT CONTACT: PHOSPHOR-BRONZE T=0.30mm±0.01
 30u" GOLD PLATING ON CONTACT AREA,
 OVER 50u" NICKEL PLATING ON ALL AREA,
 WITH 100u" TIN PLATING ON SOLDER AREA.
 BACK CONTACT: BRASS T=0.40mm±0.01
 50u" NICKEL PLATING ON ALL AREA,
 WITH 100u" TIN PLATING ON SOLDER AREA.
 SHIELD: BRASS T=0.20mm±0.01
 50u" NICKEL PLATING ON ALL AREA,
 SOLDERABILITY: PER MIL STD. 202, METHOD 208.
 DURABILITY: 750 MATING CYCLES MIN.

2. USB MECHANICAL:

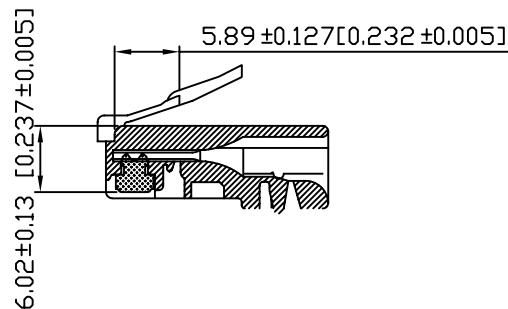
HOUSING: HIGH TEMP. THERMOPLASTIC
 PBT, BLACK, UL 94V-0
 CONTACT: PHOSPHOR-BRONZE T=0.25mm±0.01
 30u" GOLD PLATING ON CONTACT AREA,
 OVER 50u" NICKEL PLATING ON ALL AREA,
 WITH 100u" TIN PLATING ON SOLDER AREA.
 SHIELD: BRASS T=0.30mm±0.01
 50u" NICKEL PLATING ON ALL AREA.
 MATING FORCE: 35 NEWTONS MAXIMUM
 UNMATING FORCE: 10 NEWTONS MINIMUM
 DURABILITY: 1500 MATING CYCLES MIN.

3. UNSPECIFIED TOLERANCE: .XX ±0.25[0.01]
 .X ±0.30[0.012]

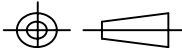


RECOMMENDED
 PANEL CUTOUT DIMENSION

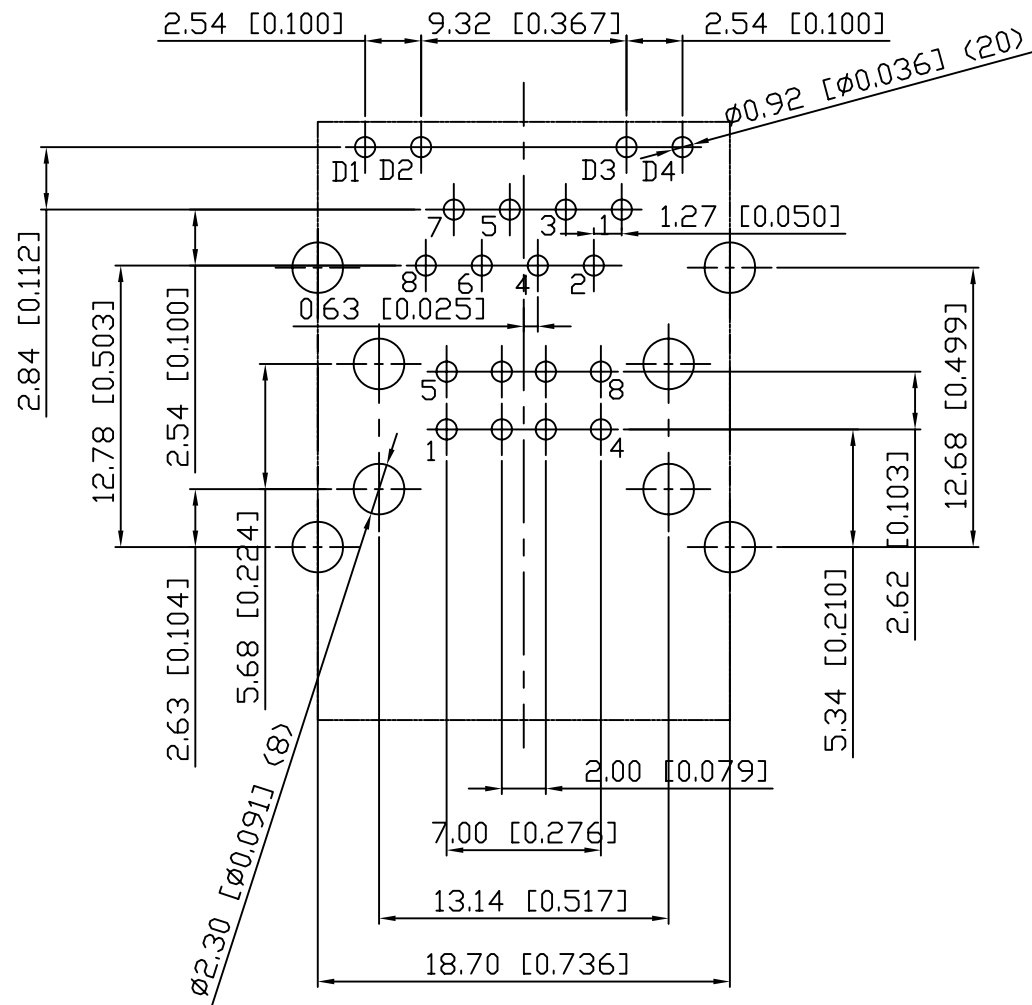
RECOMMENED PLUG DIMENSION:



RoHS Compliant

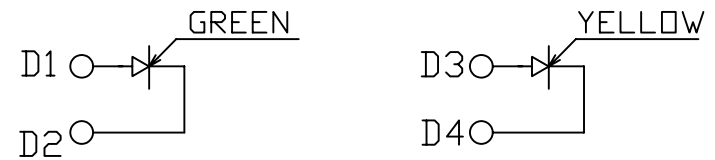
X MULTIPLE		CONNECTING THE INFORMATION AGE	
X MULTIPLE ASIA 4F, No. 347, Yang Guang St., Neihu Chiu, Taipei, Taiwan 11475		X MULTIPLE USA 1420 Los Angeles Ave., Suite G, Simi Valley, CA 93065	
THIS DRAWING IS A CONTROLLED DOCUMENT.		CUSTOMER/NO:	
TITLE: RJ45+USB A Type Daul, w/LED,w/Filter 10/100 Mbps, 8P,8C,Shielded,Thru-Hole		DWG NO: XRJB-G70-4-E11-01	
PART NO: XRJB-G70-4-E11-01		DRAWN: AUSTIN	
		UNIT mm[inch]	SHEET 1 of 3
		REV 01	DATE: Jul.27,06

2. PCB LAYOUT :



SUGGESTED PCB LAYOUT
(TOP VIEW)

3. LED CONFIGURATION :

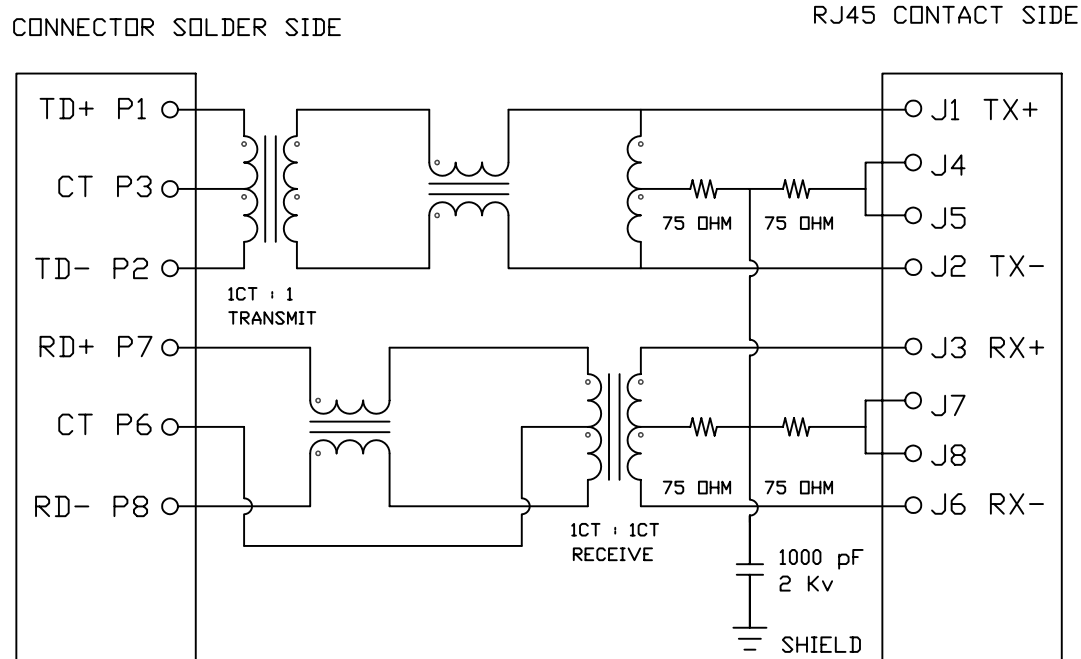


Color	Lens Color	Vf(v) @20mA		Iv(mcd) @10mA		Viewing angle
		Min	Max	Min	Typ	
Yellow	Yellow Diffused	1.7	2.8	3.0	6.0	116
Green	Green Diffused	1.7	2.8	3.5	6.0	116

RoHS Compliant

		CONNECTING THE INFORMATION AGE		CUSTOMER/NO:	
				DWG NO: XRJB-G70-4-E11-01	
THIS DRAWING IS A CONTROLLED DOCUMENT.					
TITLE: RJ45+USB A Type Daul, w/LED,w/Filter 10/100 Mbps, 8P,8C,Shielded,Thru-Hole					
PART NO: XRJB-G70-4-E11-01					
		UNIT	SHEET	REV	DATE:
		mm[inch]	2 of 3	01	Jul.27,06

4. SCHEMATIC:



5. ELECTRICAL CHARACTERISTICS :

TEST NOTES:($25 \pm 5^\circ\text{C}$)

1.TR:(100KHz,0.1V);

PINS:(P1-P2):(J1-J2)= $1:1 \pm 3\%$

PINS:(P7-P8):(J3-J6)= $1:1 \pm 3\%$

2.LX:(100KHz,100mV,8mA, DC Bias)

PINS: (P1,P2),(P7,P8)=350uH MINIMUM

3.DCR:

PINS:(J1-J2),(J3-J6)= 1.0 OHMS MAXIMUM

4.HIPOT:

PINS(P1,P3,P2)TO(J1,J2)=1500VAC FOR 60 SECONDS

PINS(P7,P6,P8)TO(J3,J6)=1500VAC FOR 60 SECONDS

5.INSERTION LOSS:

-1.0dB MAXIMUM AT 0.3MHz TO 100MHz;

6.RETURN LOSS:

-20dB MINIMUM AT 1MHz TO 30MHz;

-15dB MINIMUM AT 30MHz TO 60MHz

-10dB MINIMUM AT 60MHz TO 80MHz

7.CROSS TALK:

-30dB MINIMUM AT 1MHz TO 100MHz

8.COMMON TO COMMON MODE REJECTION:

-30dB MINIMUM AT 1MHz TO 100MHz

XRJB-G70-4-E11-01

PRODUCT SERIES
B : RJ45 OVER USB

NUMBER OF PORT
G70 : RJ45 OVER DUAL USB
A TYPE, G7 SERIES

CIRCUIT TYPE

PROTOCOL TYPE
E : 10/100 Mbps, 5 CORE

LED COLOR OPTION

RoHS Compliant

		CONNECTING THE INFORMATION AGE	
		CUSTOMER/NO:	
X MULTIPLE ASIA 4F, No. 347, Yang Guang St., Neihu Chiu, Taipei, Taiwan 11475		X MULTIPLE USA 1420 Los Angeles Ave., Suite G, Simi Valley, CA 93065	
THIS DRAWING IS A CONTROLLED DOCUMENT.			
TITLE: RJ45+USB A Type Daul, w/LED,w/Filter 10/100 Mbps, 8P,8C,Shielded,Thru-Hole		DWG NO: XRJB-G70-4-E11-01	
PART NO: XRJB-G70-4-E11-01		DRAWN: AUSTIN	
		UNIT	REV
mm[inch]		SHEET	DATE:
		3 of 3	01 Jul.27,06