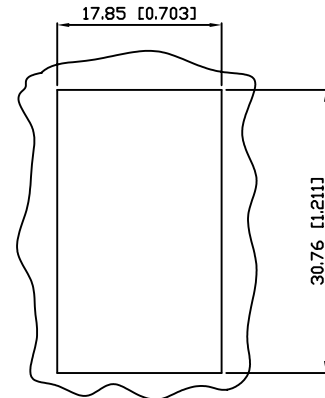
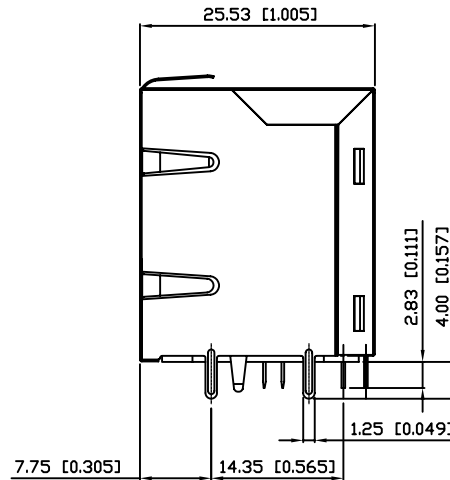
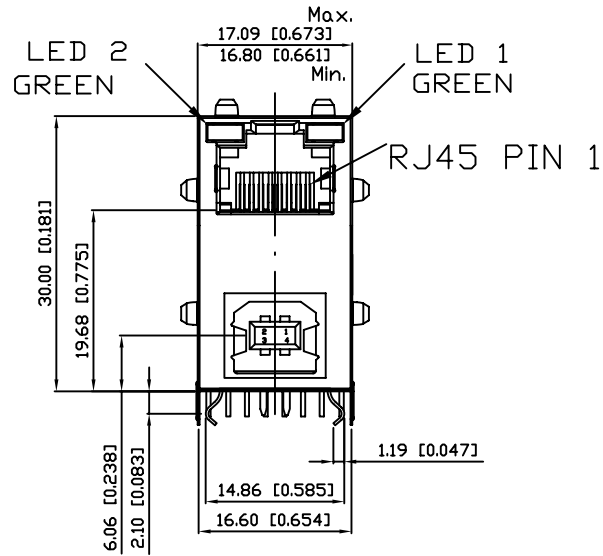
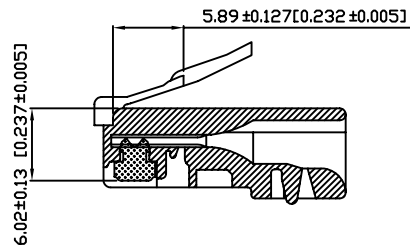


1. MECHANICAL DIMENSIONS :



RECOMMENDED PANEL CUTOUT DIMENSION

RECOMMENDED PLUG DIMENSION:



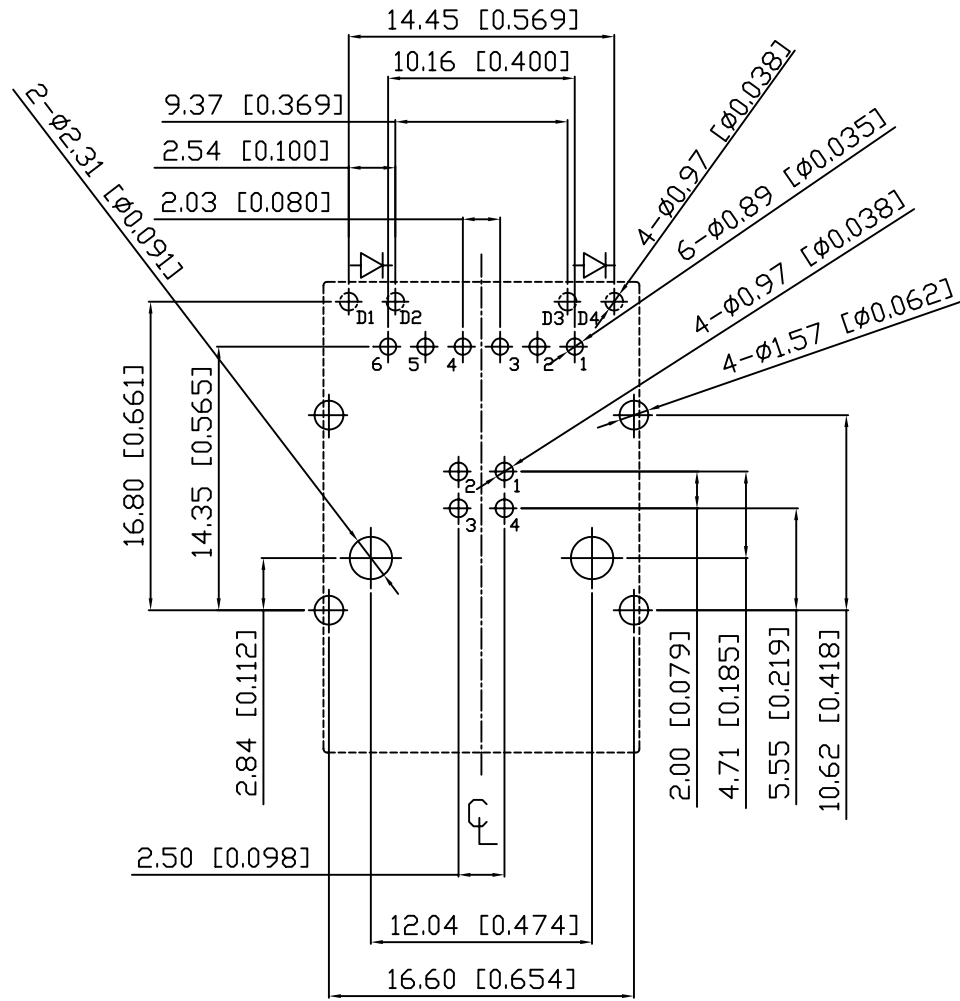
NOTES:

- RJ45 MECHCNICAL:**
 PLASTIC HOUSING: THERMOPLASTIC PBT BLACK
 FLAMMABILITY RATINHG UL 94V-0
 FRONT CONTACT: PHOSPHOR-BRONZE T=0.35mm±0.01
 15u' GOLD PLATING ON CONTACT AREA.
 BACK CONTACT: BRASS T=0.40mm±0.01
 50u' NICKEL PLATING ON ALL AREA,
 WITH 100u' TIN PLATINTG ON SOLDER AREA.
 SHIELD: BRASS T=0.20mm±0.01
 50u' NICKEL PLATING ON ALL AREA,
 SOLDERABILITY: PER MIL STD. 202, METHOD 208.
 DURABILITY: 750 MATING CYCLES MIN.
- USB MECHANICAL:**
 CONTACT: PHOSPHOR-BRONZE T=0.25mm±0.01
 30u' GOLD PLATING ON CONTACT AREA,
 OVER 50u' NICKEL PLATING ON ALL AREA,
 WITH 100u' TIN PLATING ON SOLDER AREA.
 SHIELD: BRASS T=0.30mm±0.01
 100u' TIN PLATINTG ON SOLDER AREA,
 OVER 50u' NICKEL PLATING ON ALL AREA.
 MATING FORCE: 35 NEWTONS MAXIMUM
 UNMATING FORCE: 10 NEWTONS MINIMUM
 DURABILITY: 1500 MATING CYCLES MIN.
- OPERATING TEMPERATURE :** 0°C~70°C
- UNSPECIFIED TOLERANCE:** .XX ±0.25[0.010]
 X ±0.30[0.012]

RoHS Compliant

X MULTIPLE		CONNECTING THE INFORMATION AGE	
XMULTIPLE ASIA 4F, No. 347, Yang Guang St., Neihu, Taipei, Taiwan 11475		XMULTIPLE USA 1420 Los Angeles Ave., Suite G, Simi Valley, CA 93065	
THIS DRAWING IS A CONTROLLED DOCUMENT.		G/NO:	
TITLE: RJ45+USB B Type, W/LED,W/Filter 10/100 Mbps 8P,6C,Shielded,Thru-Hole		DWG NO: XRJB-B60-5-DA1-170	
PART NO: XRJB-B60-5-DA1-170		DRAWN: IVAN	
UNIT: mm[inch]		SHEET: 1 of 3	
REV: 01		DATE: Apr.24,07	

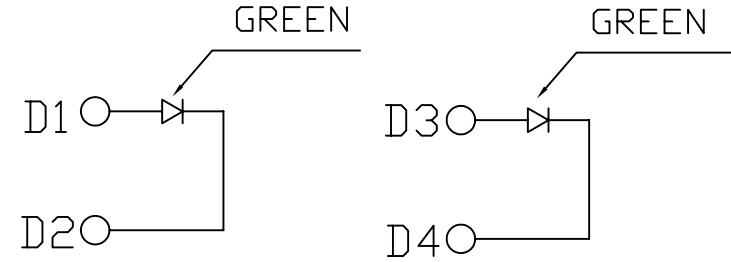
2. PCB LAYOUT :



SUGGESTED PCB LAYOUT
(TOP VIEW)

DIMENSIONAL TOLERANCE: .XX ±0.08[0.003]

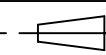
3. LED CONFIGURATION :



Color	Lens Color	Vf(v) @20mA		Iv(mcd) @10mA		Viewing angle 2θ 1/2
		Min	Max	Min	Typ	
Yellow	Yellow Diffused	1.7	2.8	3.0	6.0	116
Green	Green Diffused	1.7	2.8	3.5	6.0	116

RoHS Compliant

		CONNECTING THE INFORMATION AGE	
X MULTIPLE ASIA 4F, No. 347, Yang Guang St., Neihu, Taipei, Taiwan 11475		X MULTIPLE USA 1420 Los Angeles Ave., Suite G, Simi Valley, CA 93065	
THIS DRAWING IS A CONTROLLED DOCUMENT.			
TITLE: RJ45+USB B Type, W/LED,W/Filter 10/100 Mbps BP_6C,Shielded,Thru-Hole			
PART NO: XRJB-B60-5-DA1-170			
		UNIT	SHEET
		mm[inch]	2 of 3
		REV	DATE
		01	Apr.24,07



UNIT

SHEET

REV

DATE

01

Apr.24,07

