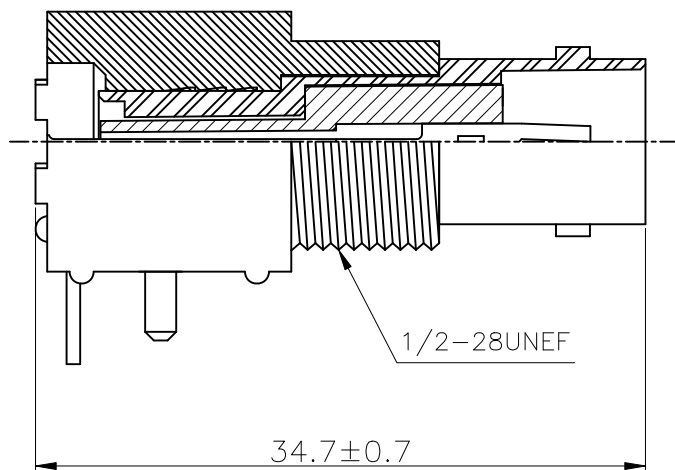
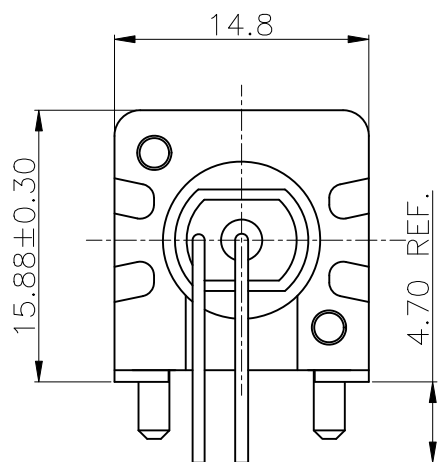


1  
2  
3  
4  
5



1. MATERIAL:

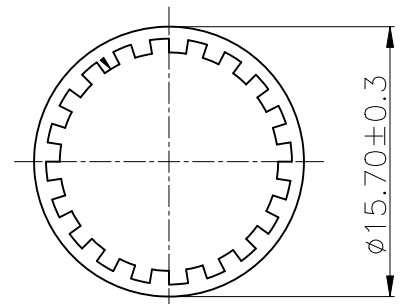
NUT	BRASS	NICKEL
LOCK WASHER	SK-5	NICKEL
CONTACT	PHOSPHOR B.	GOLD+TIN
GROUNDING	Cu COVERED STEEL	TIN
INSULATOR	P.P	BLACK
BODY	ZINC ALLOY	NICKEL
HOUSING	PBT+30%G.F.	BLACK
POST	BRASS	TIN
DESCRIPTION	MATERIAL	FINISHED

2. SPECIFICATION:

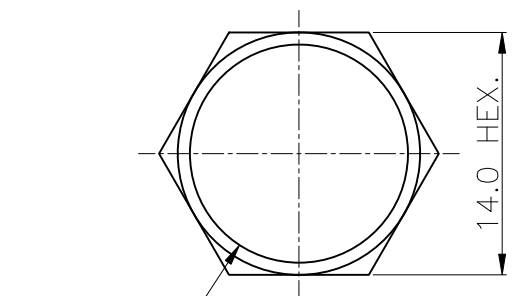
- 2.1 IMPEDANCE: 75 OHM.
- 2.2 FREQUENCY RANGE: 0~1GHz.
- 2.3 MAX PEAK VOLTAGE: 500V.
- 2.4 INSULATION RESISTANCE: 5000MΩ MIN.
- 2.5 DIELECTRIC WITHSTANDING VOLTAGE: AC 1500V RMS.

3. NOTES:

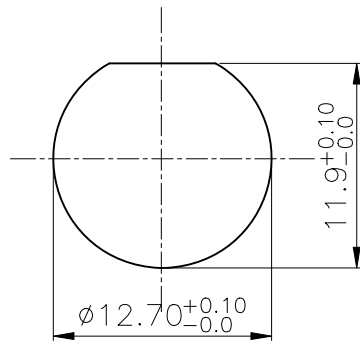
3.1 THIS COMPONENT AND ITS HOMOGENEOUS SUBCOMPONENTS ARE RoHS COMPLIANT.



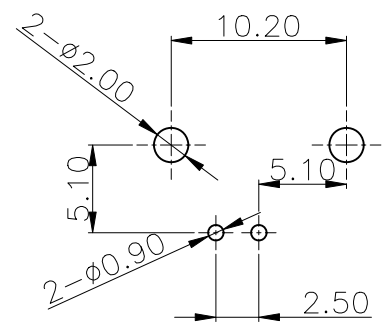
LOCK WASHER



NUT



RECOMMENDED CUTOUT



RECOMMENDED PCB LAYOUT(PCB THICKNESS: 1.6mm)  
COMPONENT SIDE VIEW(TOLERANCE: ±0.05)

REV.	DESCRIPTION	ECN NO.	NAME	DATE
AO	NEW RELEASE		Julia	Jan.10.2012
REVISIONS				

DIM.	TOL.
X	
X.X	±0.30
X.XX	±0.25
X.XXX	±0.15
GENERAL ANGLE: ±3°	

TITLE: 75ohm BNC JACK R/A DIP TYPE				
DWG. NO.: C-RF2144-2001			DRAWN: Julia	
PART NO.: XRF-RF2144-2001			CHECKED: Karen	
UNIT: mm	SCALE: none	SHEET: 1 OF 1	DWG. SIZE: A4	LAYER: DD
APPROVED: Frank			RFQ NO.: Q1201023	

**XMULTIPLE**