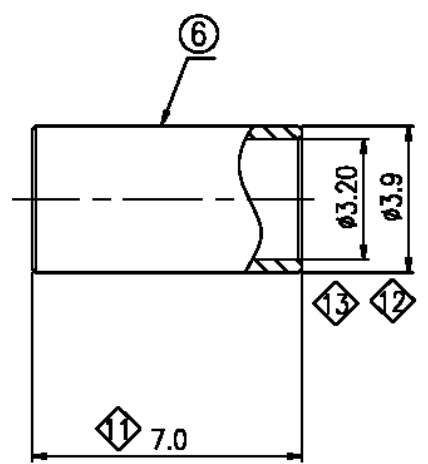
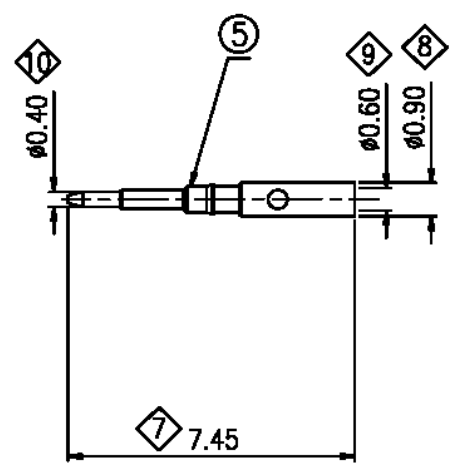
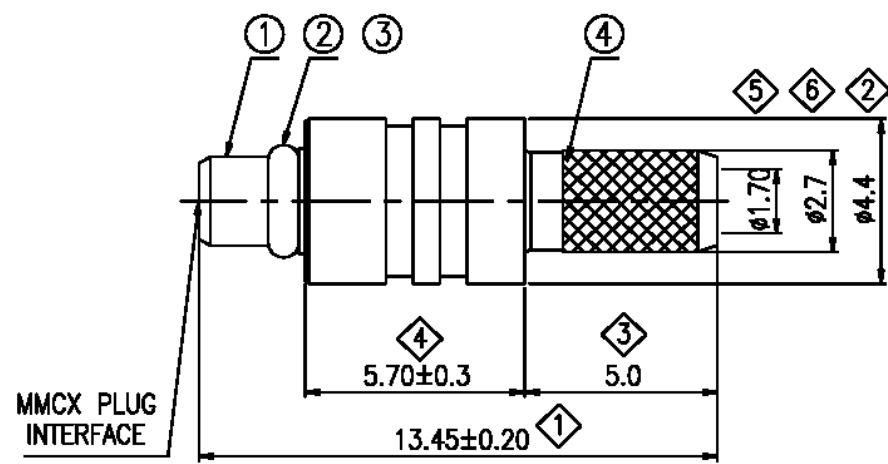
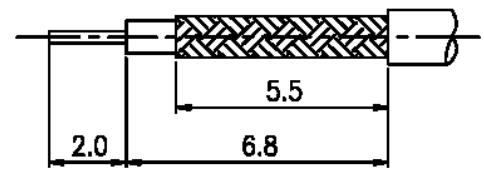


REV	DATE	ECO NO.	DESCRIPTION	DESIGN	CHECK	APPD
A	20071130		NEW RELEASE	鍾泉明	劉國	鍾泉明



- NOTES:
- THIS CONNECTOR IS MMCX PLUG FOR RG-174/U&RG-316/U.
  - ITEMS ⑤ ⑥ ARE SHIPPED UNASSEMBLED.
  - ELECTRICAL SPEC:
    - IMPEDANCE: 50 OHMS NOMINAL.
    - FREQUENCY RANGE: 0~3.0 GHz.
    - INSULATION RESISTANCE: 1000 MEGOHMS MIN.
    - DIELECTRIC WITHSTANDING VOLTAGE: 500 VRMS.
    - CONTACT RESISTANCE
      - CENTER CONTACT: 5.0 MILLIOHMS MAX.
      - OUTER CONTACT: 1.0 MILLIOHMS MAX.
  - MECHANICAL SPEC:
    - COUPLING METHOD: SNAP-ON.
    - DURABILITY: 500 CYCLES MIN.
    - ENGAGEMENT FORCE: 2.54 kgf (5.6 lbs) MAX.
    - DISENGAGEMENT FORCE: 0.45 kgf (1.0 lbs) MIN.
  - ENVIRONMENTAL SPEC:
    - TEMPERATURE RANGE: -65°C TO +165°C.
  - ALL THE PARTS COMPLIANT TO RoHS.



RECOMMENDED CABLE STRIPPING DIM

FOR CUSTOMER DRAWING

Xmultiple Technologies, Inc,

ITEM	NAME	SPEC.	FINISH	Q'TY
6	FERRULE	BRASS	THIN GOLD OVER NICKEL	1
5	PIN CONTACT	BRASS	GOLD 0.13um MIN OVER NICKEL	1
4	GUIDE PIECE	BRASS	THIN GOLD OVER NICKEL	1
3	INSULATOR	PTFE	NONE	1
2	C RING	BERYLLIUM COPPER	THIN GOLD OVER NICKEL	1
1	PLUG BODY	BRASS	THIN GOLD OVER NICKEL	1

TOLERANCES WITHOUT DIMENSIONS	DESIGN	鍾泉明	DWG.NO	M01-SP316-11BS01
	DRAWN	劉月從	TITLE	MMCX PLUG
LINEAR	CHECK	劉國	PART NO	XRF-M01-1RC-CAA-K01
	APPD	鍾泉明 2007.12.04	UNIT	mm
ANGLES			SCALE	5:1
			SIZE	A4
			REV	A