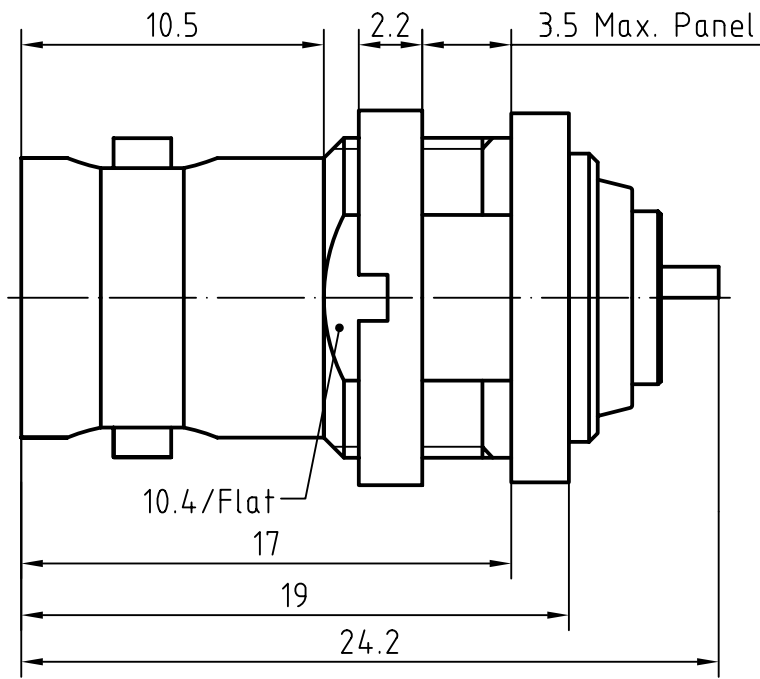
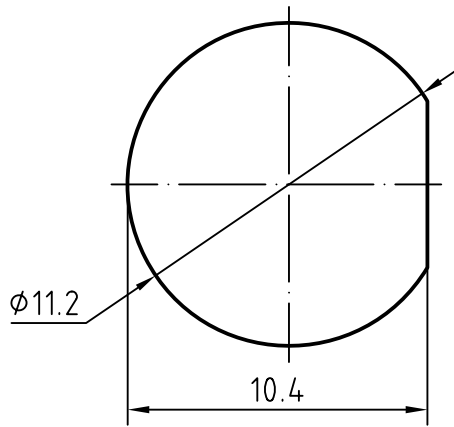


DRAWING



Mounting hole



4	1	Nut	Brass/Nickel plated	
3	1	Body	Brass/Nickel plated	
2	1	Insulator	PTFE	
1	1	Center contact	Phosphor bronze/Gold plated	
Itemref	Quantity	Title/Name, designation, material, dimension etc		Article No./Reference

Designed by Mingang Han	Checked by Zhichao Gao	Approved by - date Hongyu Du	File name BNC-KYDX	Date 10.08.12	Scale 4 : 1
----------------------------	---------------------------	---------------------------------	-----------------------	------------------	----------------

Xmultiple

XRF-BNC-KYDX-AS1

Edition
1.0

Sheet
1/1