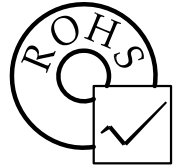
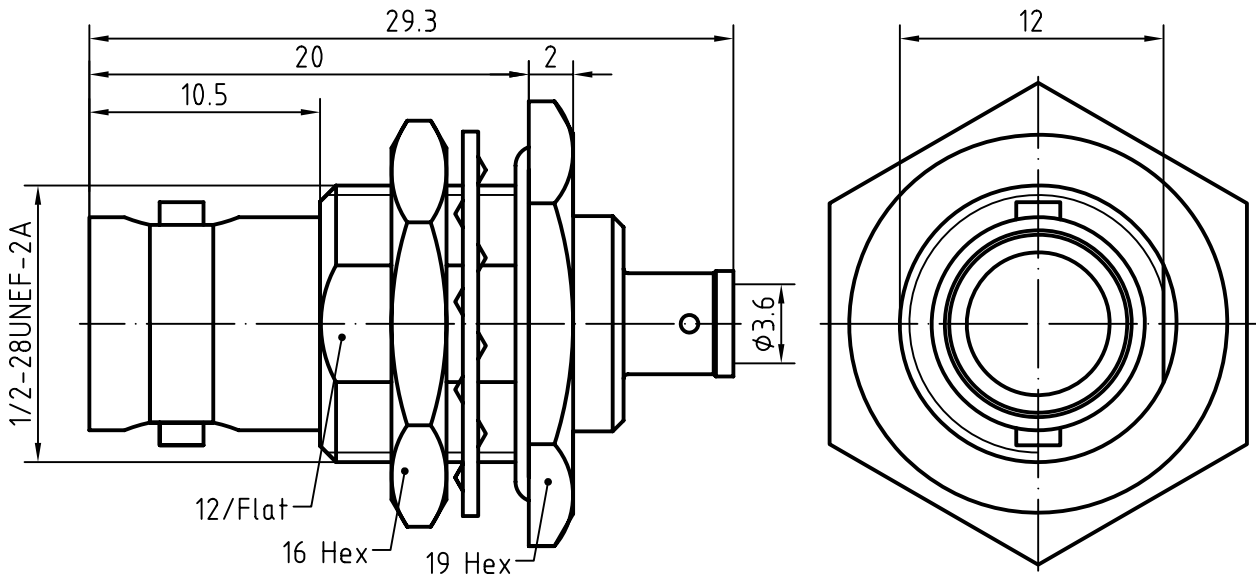
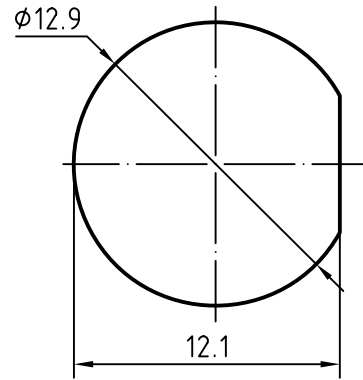
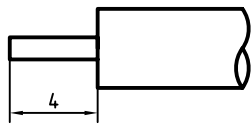


DRAWING



CABLE(UT141, RG402)

MOUNTING HOLE



3	1	Centor contactor	Phosphor bronze/Gold plated	
2	1	Insulator	PTFE	
1	1	Body	Brass/Neckel plated	
Itemref	Quantity	Title/Name, designation, material, dimension etc		Article No./Reference

Designed by Mingang Han	Checked by Zhichao Gao	Approved by - date Hongyu Du	File name XRF-BNC-KYB3	Date 11.04.20	Scale 6 : 1
----------------------------	---------------------------	---------------------------------	---------------------------	------------------	----------------

Xmultiple

XRF-BNC-KYB3

Edition
1.0

Sheet
1/1

CHARACTERISTICS

DESCRIPTION: BNC Type female BH connector

Electrical data:

Impedance:	50 ohm
Frequency range:	DC to 4 GHz
Return loss:	≥25dB, DC-0.5GHz ≥22dB, 0.5-1.0GHz ≥18dB, 1-4GHz
Insertion loss:	≤0.05X √f[GHz]dB
Insulation resistance:	≥5000MΩ
Test voltage:	1500 V rms
Working voltage:	400 V rms
Contact resistance:	
1). Centre contact:	1.5 mΩ
2). Outer conductor:	1.0 mΩ
Power handling (at 20 °C, sea level, VSWR 1.0):	≤ 80 W @ 2 GHz

Environmental data:

Temperature rating:	-55 °C to 155 °C
2002/95/EC (RoHS):	Compliant

Mechanical data:

Mating cycles:	≥500
Center contact captivation:	≥15 N(axial)

Suitable cables:

UT141, RG402