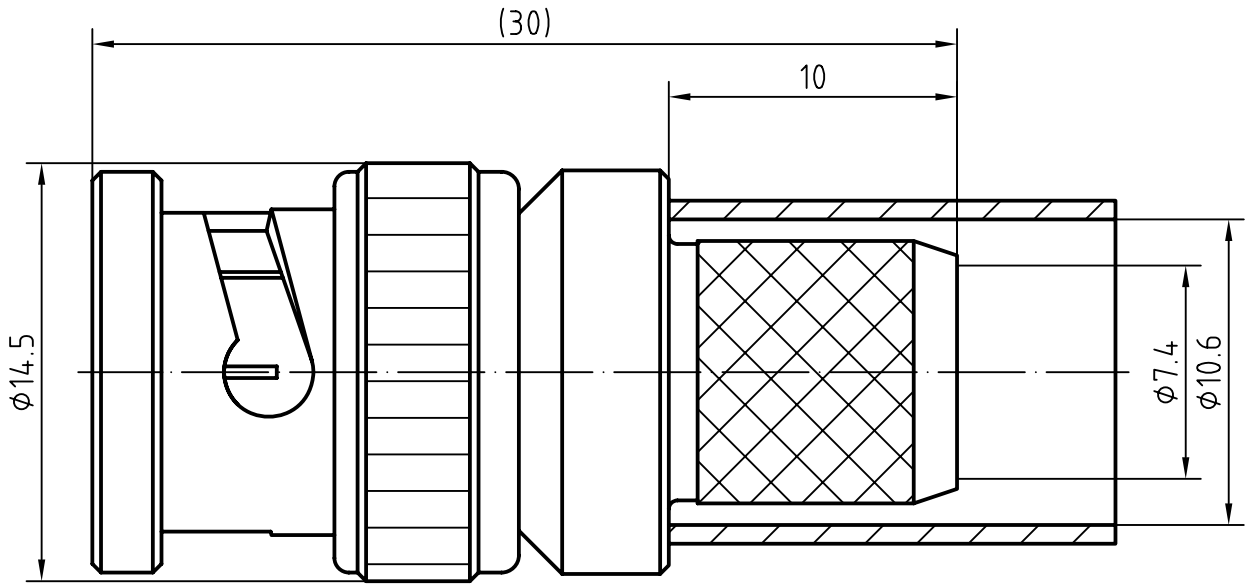
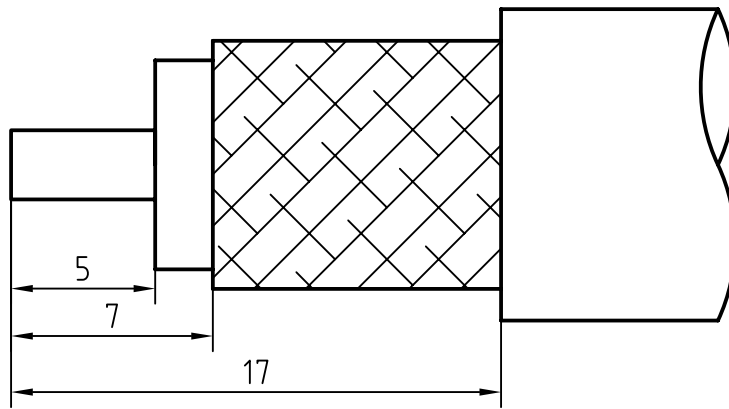


DRAWING



CABLE(RG8/U,RG213/U,SYV-50-7-1)



5	1	O ring	Silicone rubber	
4	1	Nut	Brass/Nickel plated	
3	1	Body	Brass/Nickel plated	
2	1	Insulator	PTFE	
1	1	Center contact	Phosphor bronze/Gold plated	
Itemref	Quantity	Title/Name, designation, material, dimension etc		Article No./Reference

Designed by Mingang Han	Checked by Zhichao Gao	Approved by - date Hongyu Du	File name BNC-J7Y	Date 10.08.31	Scale 5 : 1
----------------------------	---------------------------	---------------------------------	----------------------	------------------	----------------

**Xmultiple**

XRF-BNC-J7Y-AS1

Edition  
1.0  
Sheet  
1/1

## CHARACTERISTICS

DESCRIPTION: BNC Type male connector

### Electrical data:

Impedance:	50 ohm
Frequency range:	DC to 4 GHz
Return loss:	≥30dB, DC-1GHz ≥25dB, 1-2GHz ≥18dB, 2-4GHz
Insertion loss:	≤0.05 X $\sqrt{f}$ [GHz] dB
Insulation resistance:	≥5000MΩ
Test voltage:	1500 V rms
Working voltage:	400 V rms
Contact resistance:	
1). Centre contact:	1.5 mΩ
2). Outer conductor:	1.0 mΩ
Power handling (at 20 °C, sea level, VSWR 1.0):	80 W @ 2 GHz
<i>- Limitations are possible due to the used cable type -</i>	

### Environmental data:

Temperature rating:	-55 °C to 155 °C
52/95/EC (RoHS):	Compliant

### Mechanical data:

Mating cycles:	≥500
Center contact captivation:	≥ 15 N(axial)

### Suitable cables:

RG8/U, RG213/U, SYV-50-7-1

# Xmultiple