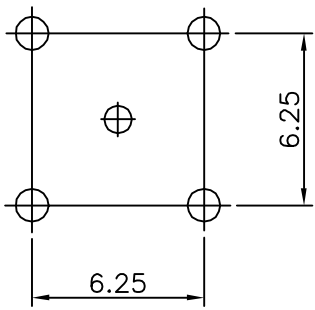
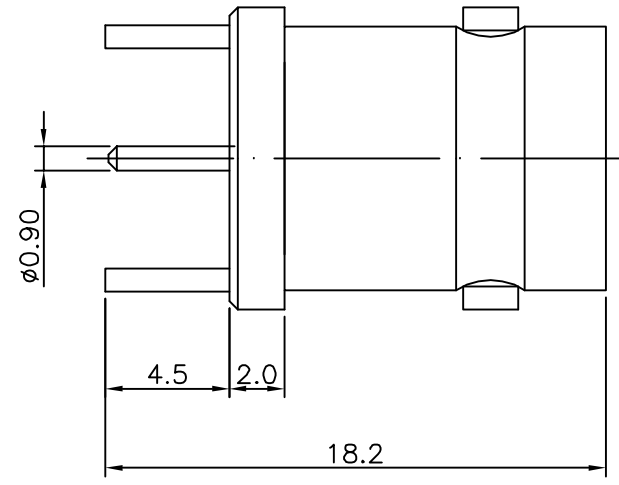
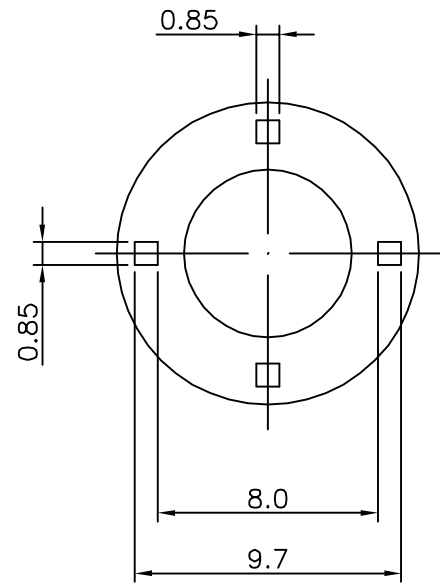


1		2		3		4		5		6		7		8	
REVISION															
ISS	ZONE	DESCRIPTION													



(4) ϕ 1.2 MIN.
 (1) ϕ 1.0 MIN.
RECOMMEND
MOUNTING HOLE



- NOTE:
- 1.Impedance:50 Ω
 - 2.Frequency Range : DC~4 GHz
 - 3.V.S.W.R. : \leq 1.35
 - 4.Voltage Rating : 500V rms
 - 5.Contact Resistance : Center Contact : 1.5 m Ω Max.
Outer Contact : 0.5 m Ω Max.
 - 6.Insulation Resistance : 5000 M Ω Min.
 - 7.Operating Temperature Range : -65°C~ 165°C
 - 8.RoHS Compliance
 - 9.Durability(Mating) : 500 Cycles min.

TOLERANCES			
DIMENSIONS ARE IN MILLIMETER			
UNLESS OTHERWISE SPECIFIED			
.X		\pm 0.2	
.XX		\pm 0.1	
.XXX		\pm 0.05	
ANGLES		\pm 5°	

TITLE	BNC JACK PCB MOUNT
PART NO.	XRF12-33-50 Ω
DRAWN NO.	12-0008
FILE PATH:	

Xmultiple Technologies,INC.	
APPROVED	DATE
CHECKED	DATE
DRAWN	DATE

4	PIN	BRASS	GOLD	1	C-0013
3	WASHER	BRASS	NICKEL	1	F-0001
2	INSULATOR A	TEFLON	NONE	1	T-0013
1	BODY	BRASS	NICKEL	1	B-0016
NO.	DESCRIPTION	MATERIAL	FINISH	Q'TY	DRAWN NO.

SCALE	4/1	ISSUE	A-0
-------	-----	-------	-----

F
E
D
C
B
A

F
E
D
C
B
A

1 2 3 4 5 6 7 8