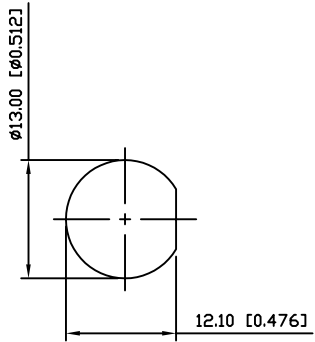
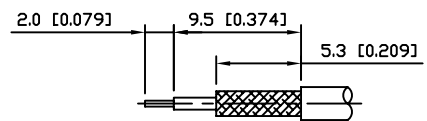


- NOTES:
- THIS CONNECTOR IS TNC BULKHEAD JACK FOR RG-174/U & RG-316/U.
 - ITEMS ⑥⑦⑧⑨⑩ ARE SHIPPED UNASSEMBLED.
 - ELECTRICAL SPEC:
 - IMPEDANCE: 50 OHMS NOMINAL.
 - FREQUENCY RANGE: 0~6 GHz.
 - INSULATOR RESISTANCE: 1000 MEGOHMS MIN.
 - WITHSTANDING VOLTAGE: 1000 VRMS.
 - CONTACT RESISTANCE:
 - CENTER CONTACT: 1.5 MILLIOHMS MAX.
 - OUTER CONTACT: 1.0 MILLIOHMS MAX.
 - MECHANICAL SPEC:
 - MATING: 7/16-28UNEF THREAD.
 - DURABILITY: 500 CYCLES MIN.
 - UNSPECIFIED TOLERANCE: .XX ±0.25 [0.010]
.X ±0.30 [0.012]



RECOMMENDED MOUNTING HOLE



RECOMMENDED CABLE STRIPPING DIM'S

RoHS Compliant

ITEM	NAME	SPEC.	FINISH
10	FERRULE	BRASS	NICKEL
9	PIN CONTACT	BRASS	THIN GOLD OVER NICKEL
8	GASKET	SILICONE RUBBER	NONE
7	WASHER	BRASS	NICKEL
6	NUT	BRASS	NICKEL
5	COVER	BRASS	NICKEL
4	INSULATOR 2	PTFE	NONE
3	SOCKET CONTACT	PHOSPHOR BRONZE	GOLD 0.08um MIN OVER NICKEL
2	INSULATOR 1	PTFE	NONE
1	BODY	BRASS	NICKEL

X MULTIPLE THE INFORMATION AGE

XMULTIPLE ASIA
4F, No. 347, Yang Guang St.,
Neihu, Taipei, Taiwan 11475 XMULTIPLE USA
1420 Los Angeles Ave., Suite G,
Sunny Valley, CA 93065 G/NO:
DWG NO:
DRAWN:
CHKD:
DATE:

THIS DRAWING IS A CONTROLLED DOCUMENT.

TITLE: TNC BH JACK

PART NO: XRF-T1-5RC-CDA-K01

UNIT	SHEET	REV
mm[inch]	1 of 1	01

DATE: Dec.17,07