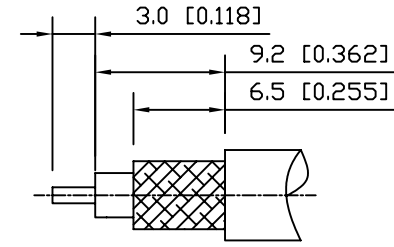
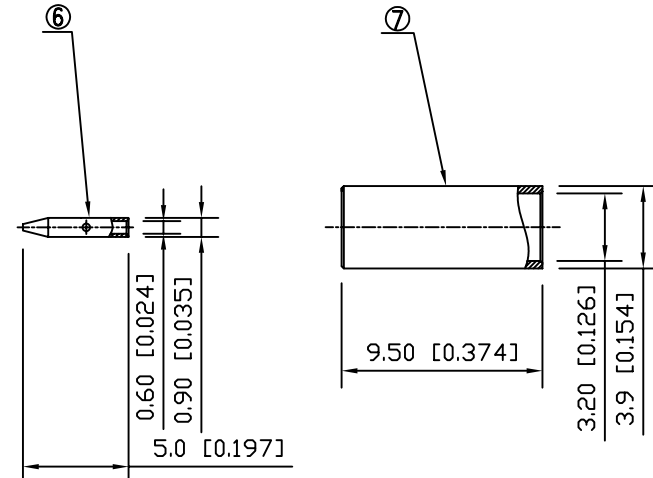
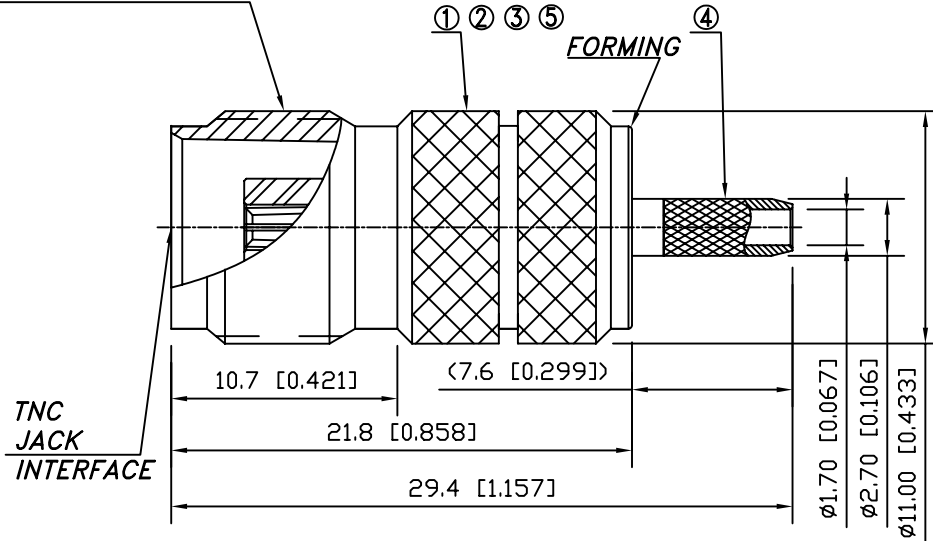


7/16-28UNEF-2A



RECOMMENDED CABLE STRIPPING DIM'S

- NOTES:
- THIS IS CONNECTOR TNC JACK FOR RG-174/U & RG-316/U.
 - ITEMS ⑥ ⑦ ARE SHIPPED UNASSEMBLED.
 - ELECTRICAL SPEC:
 - IMPEDANCE: 50 OHMS NOMINAL.
 - FREQUENCY: 0~3.5 GHz.
 - INSULATION RESISTANCE : 1000 MEGOHMS.
 - DIELECTRIC WITHSTANDING VOLTAGE : 1000 VRMS.
 - CONTACT RESISTANCE :
 - CENTER CONTACT : 1.5 MILLIOHMS.
 - OUTER CONTACT : 1.0 MILLIOHMS.
 - MECHANICAL AND ENVIRONMENTAL SPEC:
 - MATING : 7/16-28UNEF THEARD.
 - DURABILITY : 500 CYCLES MIN.
 - ENVIRONMENTAL SPEC:
 - OPERATING TEMPERATURE : -65°C~+165°C.
 - UNSPECIFIED TOLERANCE: .XX ±0.25[0.010]
.X ±0.30[0.012]

RoHS Compliant

ITEM	NAME	SPEC.	FINISH	Q'TY
7	FERRULE	BRASS	NICKEL	1
6	PIN CONTACT	BRASS	THIN GOLD OVER NICKEL	1
5	INSULATOR 2	PTFE	NONE	1
4	GUIDE PIECE	BRASS	NICKEL	1
3	INSULATOR 1	PTFE	NONE	1
2	SOCKET CONTACT	PHOSPHOR BRONZE	GOLD 0.08um MIN OVER NICKEL	1
1	JACK BODY	BRASS	NICKEL	1

X MULTIPLE		THE INFORMATION AGE	
<small>XMULTIPLE ASIA 4F, No. 347, Yang Guang St., Neihu, Taipei, Taiwan 11475</small>		<small>XMULTIPLE USA 1420 Los Angeles Ave., Suite G, Sunny Valley, CA 93065</small>	
THIS DRAWING IS A CONTROLLED DOCUMENT.		G/NO:	
TITLE: TNC JACK		DWG NO: XRF-T1-2R7-CDA-K01	
PART NO: XRF-T1-2R7-CDA-K01		DRAWN: LEON	
		UNIT	SHEET
		mm[inch]	1 of 1
		REV	DATE:
		01	Jan.28,08