

A

B

C

D

E

F

A

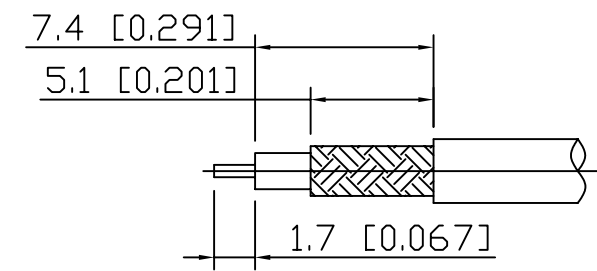
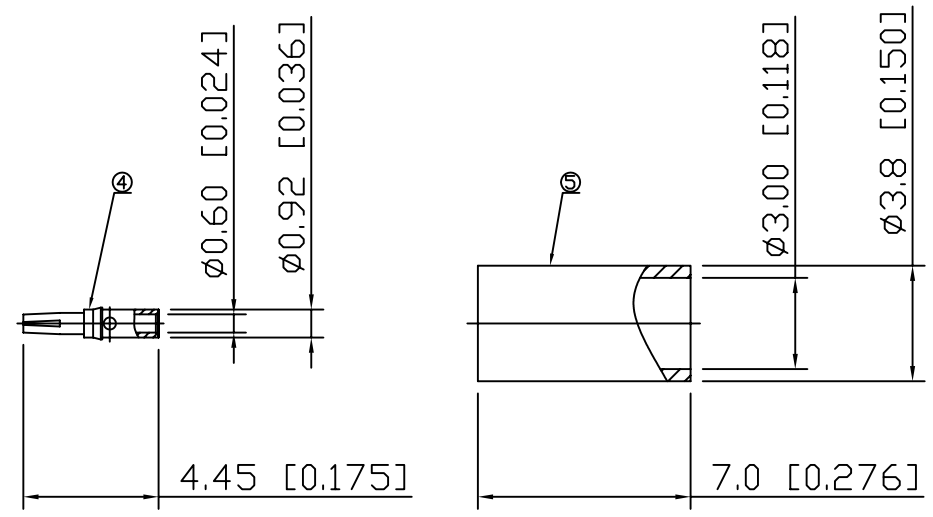
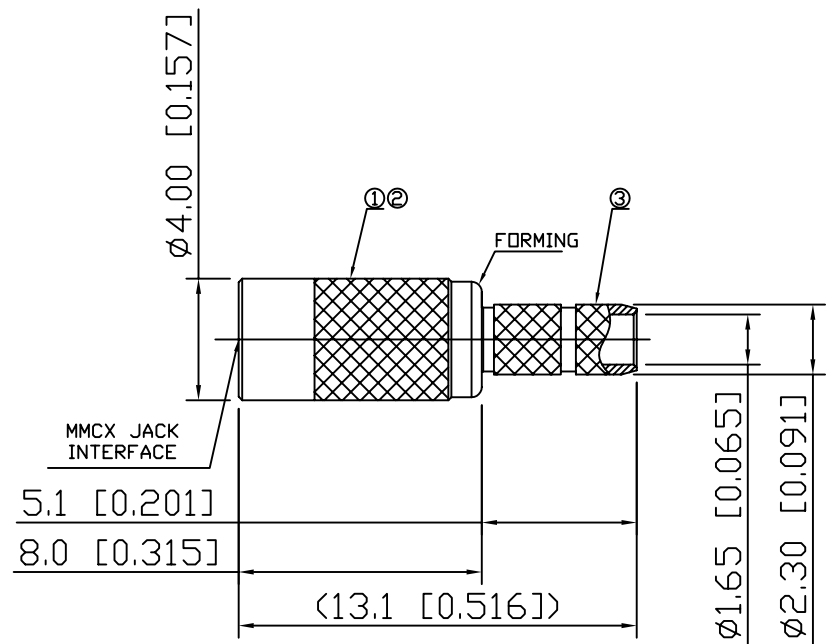
B

C

D

E

F



- NOTES:
- THIS CONNECTOR IS MMCX JACK FOR RG-174/U & RG-316/U.
  - ITEMS ④ ⑤ ARE SHIPPED UNASSEMBLED.
  - ELECTRICAL SPEC:
    - IMPEDANCE: 50 OHMS NOMINAL.
    - FREQUENCY RANGE: 0~6 GHz.
    - INSULATION RESISTANCE: 500 MEGOHMS MIN.
    - DIELECTRIC WITHSTANDING VOLTAGE: 500 VRMS.
    - CONTACT RESISTANCE
      - CENTER CONTACT: 5.0 MILLIOHMS MAX.
      - OUTER CONTACT: 1.0 MILLIOHMS MIN.
  - MECHANICAL SPEC:
    - COUPLING METHOD : SNAP-ON.
    - DURABILITY: 100 CYCLES MIN.
    - ENGAGEMENT FORCE: 2.54 kgf (5.6 lbs) MAX.
    - DISENGAGEMENT FORCE: 0.45 kgf (1.0 lbs) MIN.
  - ENVIRONMENTAL SPEC:
    - TEMPERATURE RANGE: -65°C TO +165°C.
  - UNSPECIFIED TOLERANCE: .XX ±0.25 [0.010]  
.X ±0.30 [0.012]

RECOMMENDED CABLE STRIPPING DIMENSION

RoHS Compliant

|      |                |                  |                             |      |
|------|----------------|------------------|-----------------------------|------|
| 5    | FERRULE        | BRASS            | THIN GOLD OVER NICKEL       | 1    |
| 4    | SOCKET CONTACT | BERYLLIUM COPPER | GOLD 0.13um MIN OVER NICKEL | 1    |
| 3    | COVER          | BRASS            | THIN GOLD OVER NICKEL       | 1    |
| 2    | INSULATOR      | PTFE             | NONE                        | 1    |
| 1    | BODY           | BRASS            | THIN GOLD OVER NICKEL       | 1    |
| ITEM | NAME           | SPEC.            | FINISH                      | Q'TY |

|  |  |  |                                |                               |
|--|--|--|--------------------------------|-------------------------------|
|  |  |  | CONNECTING THE INFORMATION AGE |                               |
| X MULTIPLE ASIA<br>4F, No. 347, Yang Guang St.,<br>Neihu, Taipei, Taiwan 11475 |  | X MULTIPLE USA<br>1420 Los Angeles Ave., Suite G,<br>Simi Valley, CA 93065 |                                | G/NO:                         |
| THIS DRAWING IS A CONTROLLED DOCUMENT.   |  |  |                                | DWG NO:<br>XRF-M1-2RC-CAA-K01 |
| TITLE: MMCX JACK   |  |  |                                | DRAWN:<br>IVAN                |
| PART NO: XRF-M1-2RC-CAA-K01  |  |  |                                | CHKD:<br>JEFF                 |
|  |  | UNIT<br>mm[Inch]   | SHEET<br>1 of 1                | REV<br>01                     |
|  |  |  |                                | DATE:<br>Feb.13,08            |