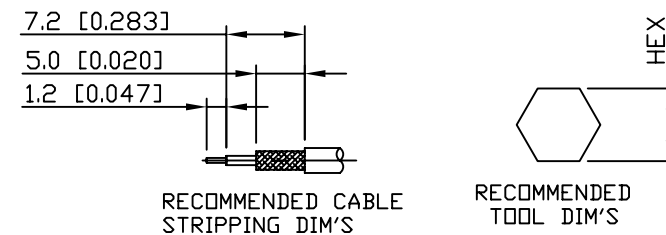
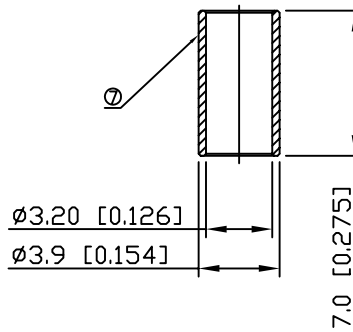


- NOTES:
- THIS CONNECTOR IS MCX RIGHT ANGLE PLUG FOR RG-179/U.
 - ITEMS ⑤ ⑥ ⑦ ARE SHIPPED UNASSEMBLED.
 - ELECTRICAL DATA
 - IMPEDANCE.....75 OHMS NOMINAL.
 - FREQUENCY RANGE.....0~6 GHz.
 - DIELECTRIC WITHSTANDING VOLTAGE.....500 VRMS.
 - INSULATION RESISTANCE.....1000 MEGOHMS MIN.
 - CONTACT RESISTANCE
 - CENTER CONTACT.....5.0 MILLIOHMS MAX.
 - OUTER CONTACT.....2.5 MILLIOHMS MAX.
 - MECHANICAL AND ENVIRONMENT DATA
 - MATING.....SNAP-ON COUPLING.
 - DURABILITY.....500 CYCLES MIN.
 - ENGAGEMENT FORCES
 - ENGAGEMENT.....5.6 lbs (24.9 N) MAX.
 - DISENGAGEMENT.....1.0 lbs (4.45 N) MIN.
 - UNSPECIFIED TOLERANCE: .XX $\pm 0.25 [0.010]$
 .X $\pm 0.30 [0.012]$



RoHS Compliant

ITEM	NAME	SPEC.	FINISH	Q'TY
7	FERRULE	BRASS	GOLD OVER NICKEL	1
6	CAP	BRASS	GOLD OVER NICKEL	1
5	INSULATOR	PTFE	NONE	1
4	PIN CONTACT	BRASS	GOLD OVER NICKEL	1
3	INSULATOR	PTFE	NONE	1
2	PLUG BODY	BERYLLIUM COPPER	GOLD OVER NICKEL	1
1	GUIDE PIECE	BRASS	GOLD OVER NICKEL	1

X MULTIPLE			CONNECTING THE INFORMATION AGE
XMULTIPLE ASIA 4F, No. 347, Yang Guang St., Neihu, Taipei, Taiwan 11475		XMULTIPLE USA 1420 Los Angeles Ave., Suite G, Simi Valley, CA 93065	
THIS DRAWING IS A CONTROLLED DOCUMENT.			G/NO:
TITLE: MCX RA PLUG FOR RG-179/u			DWG NO: XRF-M5-3R9-BAA-K01
PART NO: XRF-M5-3R9-BAA-K01			DRAWN: IVAN
			CHKD: JEFF
UNIT: mm [Inch]		SHEET: 1 of 1	REV: 01
			DATE: Jan.24,08