

A

B

C

D

E

F

A

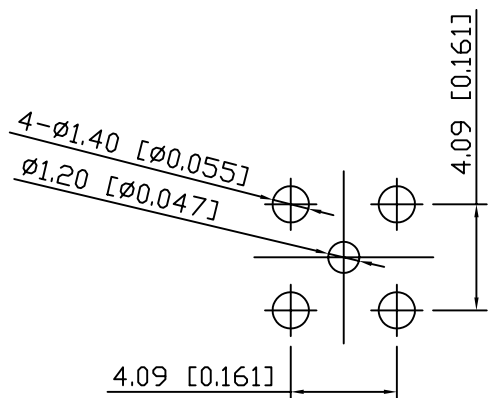
B

C

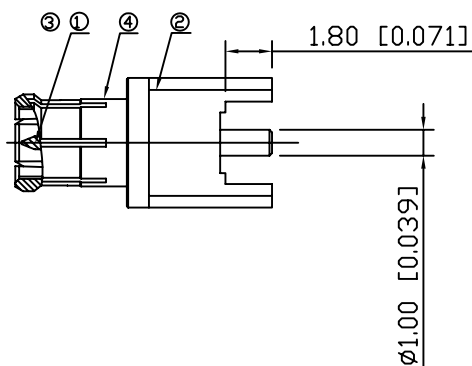
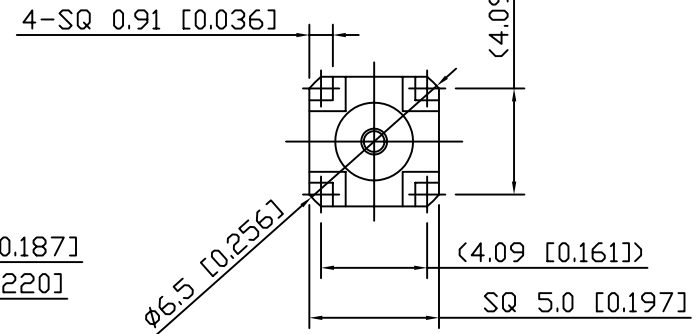
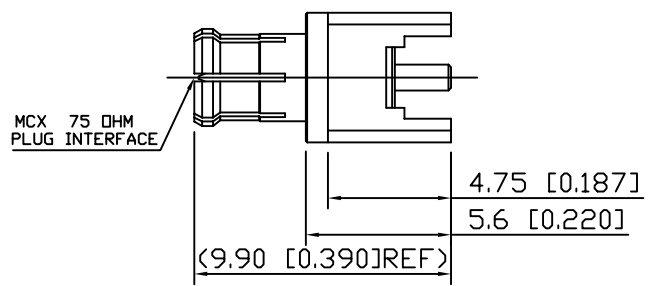
D

E

F



4.09 [0.161]
RECOMMEND MOUNTING HOLE



NOTES:

1. THIS CONNECTOR IS MCX STRAIGHT PLUG FOR PCB (75 OHM).
2. ELECTRICAL SPEC:
 - 2.1 IMPEDANCE: 75 OHMS NOMINAL.
 - 2.2 FREQUENCY RANGE: 0~3 GHz.
 - 2.3 INSULATION RESISTANCE: 1000 MEGOHMS MIN.
 - 2.4 DIELECTRIC WITHSTANDING VOLTAGE: 1000 VRMS.
 - 2.5 CONTACT RESISTANCE:
 - 2.5.1 CENTER CONTACT: 5.0 MILLIOHMS MAX.
 - 2.5.2 OUTER CONTACT: 1.0 MILLIOHMS MAX.
3. MECHANICAL SPEC:
 - 3.1 ENGAGEMENT FORCE: 25 N (5.6 lbs) MAX.
 - 3.2 DISENGAGEMENT FORCE: 4.4 N (1.0 lbs) MIN.
 - 3.3 DURABILITY: 500 CYCLES MIN.
4. TEMPERATURE RANGE: -65°C TO +165°C.
5. UNSPECIFIED TOLERANCE: .XX ±0.25 [0.010]
.X ±0.30 [0.012]

RoHS Compliant

XMULTIPLE		CONNECTING THE INFORMATION AGE	
XMULTIPLE ASIA 4F, No. 347, Yang Guang St., Neihu, Taipei, Taiwan 11475		XMULTIPLE USA 1420 Los Angeles Ave., Suite G, Simi Valley, CA 93065	
THIS DRAWING IS A CONTROLLED DOCUMENT.		G/NO:	
TITLE: MCX PLUG (75 OHM)		DWG NO: XRF-M5-1P2-BAA-K01	
PART NO: XRF-M5-1P2-BAA-K01		DRAWN: IVAN	
		UNIT	SHEET
		mm [Inch]	1 of 1
		REV	DATE
		01	Jan.25,08

ITEM	NAME	SPEC.	FINISH	Q'TY
4	BODY	BERYLLIUM COPPER	THIN GOLD OVER NICKEL	1
3	INSULATOR	PTFE	NONE	1
2	MAIN BODY	BRASS	THIN GOLD OVER NICKEL	1
1	PIN CONTACT	BRASS	GOLD 0.13µm MIN OVER NICKEL	1