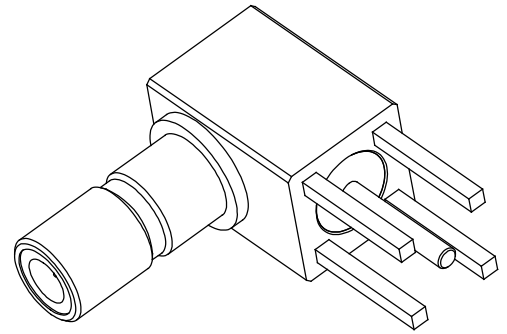


FOOTPRINT



(RoHS Compliant)
Pb ≤ 4 wt%
Cd ≤ 75 ppm

5	INSULATOR B	TEFLON	1	-	TC-2405-3A	ASTM D1710
4	BODY B	BRASS	1	GOLD	TC-2405-1A	C3604
3	CENTER PIN	P.H. Bronze	1	GOLD (3u")	TC-2405-2-3u	C5441
2	INSULATOR A	TEFLON	1	-	TC-2405-3	ASTM D1710
1	BODY A	BRASS	1	GOLD	TC-2405-1	C3604
NO	DESCRIPTION	MATERIAL	QTY	FINISH	ITEM #	CODE #

DIMENSIONS(mm)	TOLERANCE	DRAWING	DESCRIPTION
0-5mm	±0.05	DESIGNED	SSMB Jack R/A PCB Mount
5-10mm	±0.1	CHECKER	
10-15mm	±0.2	APPROVED	
15-20mm	±0.3	UNIT: M/M	
20mm ABOVE	±0.4	SCALE	10:1
		DATE	2013.08.01

PRODUCT NUMBER	VERSION
XRF-2405-TBGG/1/	A00
Xmultiple Technologies, Inc. ISO 9001-2008	