

SINGLE PORT 10/100/1000 BASE-TX Filtered Connector Module

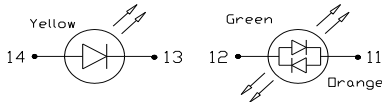
XMS S1BRF11JA

Page : 1/4

- Fully shielded magnetics protect data from internally generated digital noise.
- Reduces the overall length of the signal path for improved common mode performance.
- Implements full common mode termination scheme with used and unused twisted pairs.
- Meets IEEE802.3 Baseline Wander Compensation specification
- Integrates high voltage capacitor to chassis ground.
- Supports all major transceivers with matched turns ration and complete integration of specified termination.
- RoHS Compliant.
- Recommended panel



Part Number	11,12 (Right Led)	13,14 (Left Led)
F	Green/Orange	Yellow



Electrical Specifications @ 25°C

Part Number	Turns Ratio (±5%)		OCL(μH Min) @ 100KHz/0.1V with 8mA DC Bias	Cross talk (dB Min)			HI-POT (Vrms)
	TX	RX		0.3-30MHz	30-60MHz	60-100MHz	
S1BRF11JA	1CT : 1CT	1CT : 1CT	350	-40	-35	-30	1500

Electrical Specifications @ 25°C

Part Number	Insertion Loss (dB Max)	Return Loss (dB Min) @ Load 100Ω				CMR (dB Min)		
		1-100MHz	1-30MHz	30-40MHz	40-50MHz	50-80MHz	1-30MHz	30-60MHz
S1BRF11JA	-1.0	-16	-13.5	-11.5	-10	-30	-25	-20

RJ45 Durability Testing Rating & Material Specification

Part Number	Durability	Mating Force	Shield	
			Material	Finish
S1BRF11JA	750 Insertions	5 lbs./2.268 kgs.	Brass	10-20m inches Nickel

RJ45 Material Specification

Part Number	Contact		Housing	
	Material	Plating Area	Material	Specification
S1BRF11JA	Phosphor Brass	10-20m inches Nickel over selective gold plating 6μ inches	Thermoplastic	UL 94 V-0 1

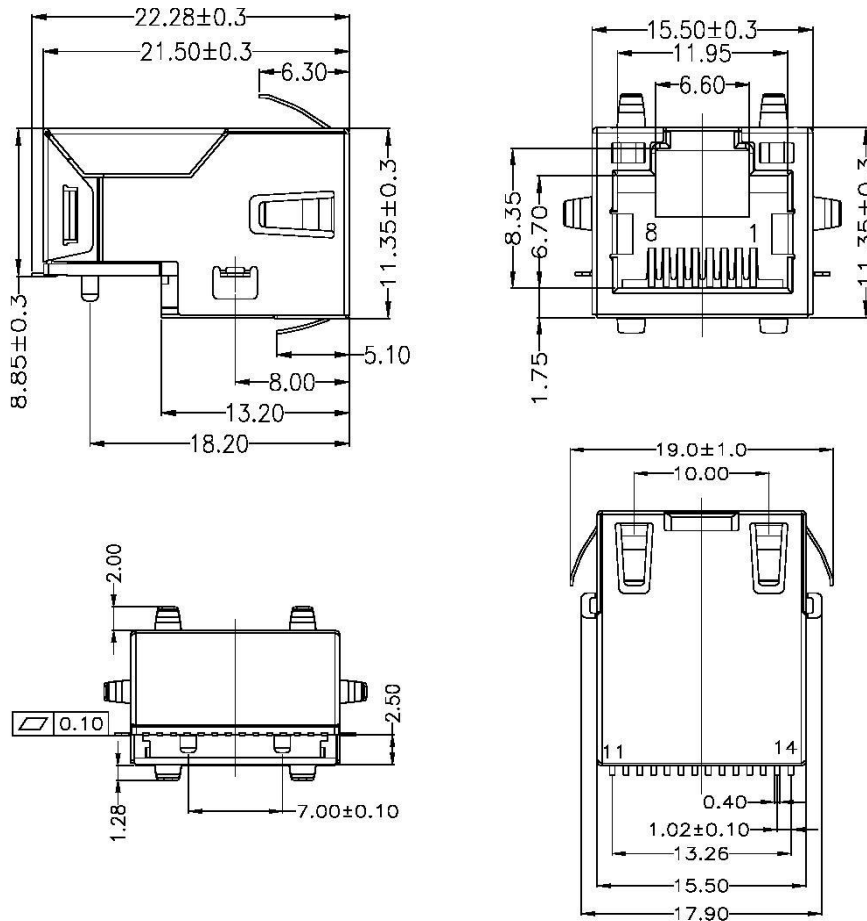
* Operating temperature range: -40°C to +85°C. Storage temperature range: -40°C to +125°C.

SINGLE PORT 10/100/1000 BASE-TX Filtered Connector Module

XMS S1BRF11JA

Page : 2/4

MECHANICAL



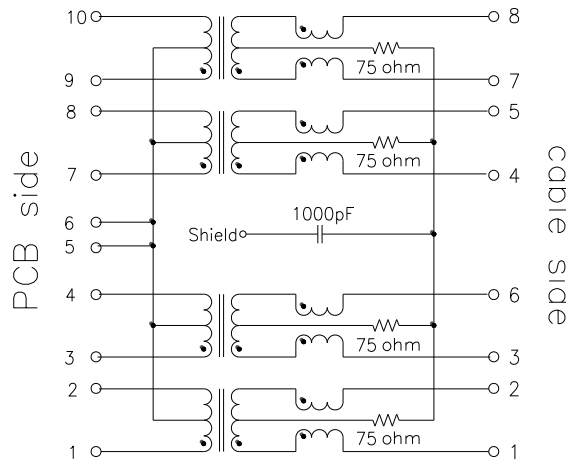
Units: mm.
Tolerance: ± 0.25 unless specified otherwise.

SINGLE PORT 10/100/1000 BASE-TX Filtered Connector Module

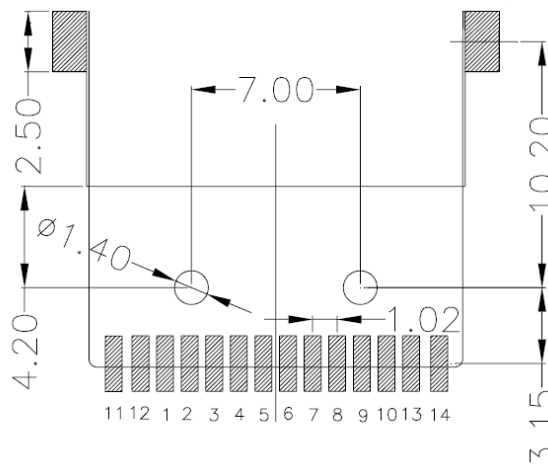
XMS S1BRF11JA

Page : 3/4

SCHEMATIC



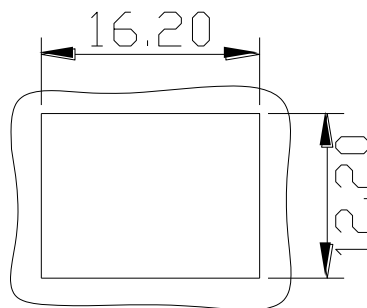
PCB LAYOUT



SINGLE PORT 10/100/1000 BASE-TX Filtered Connector Module

XMS S1BRF11JA

Page : 4/4



RECOMMENDED PANEL CUTOUT DIMENSION