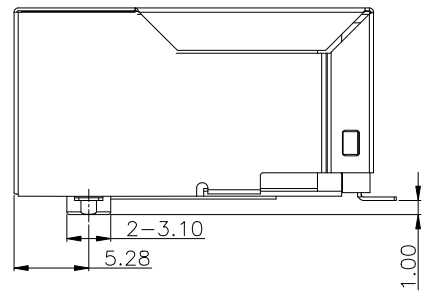
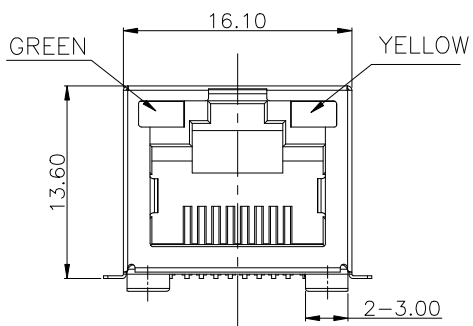
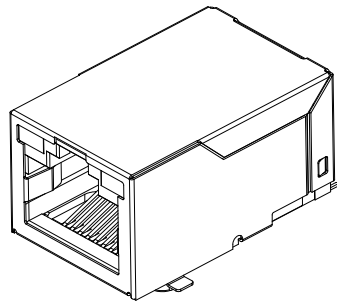
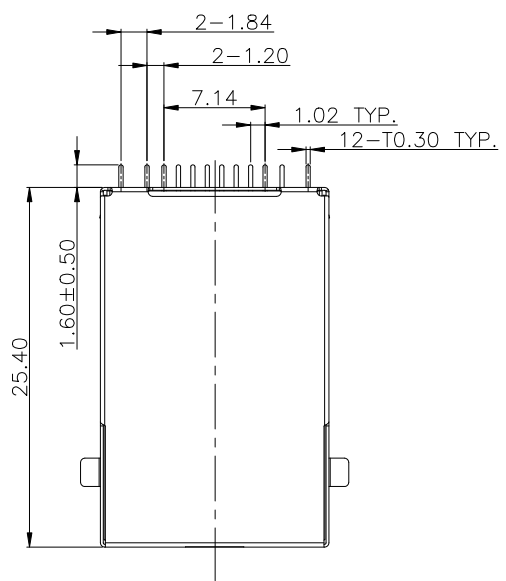
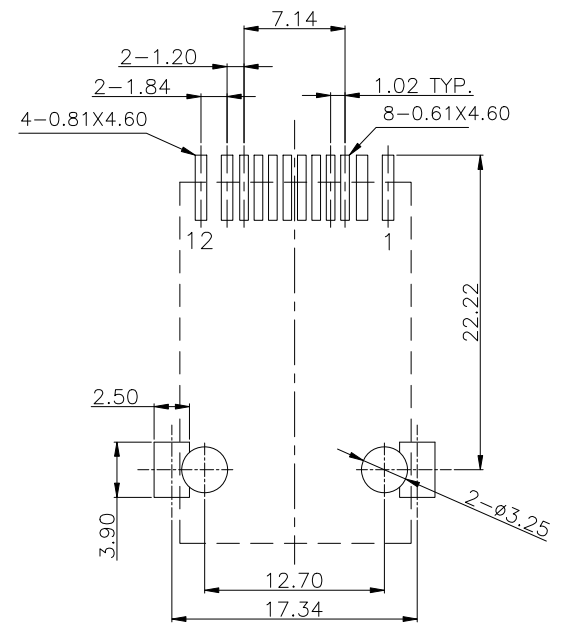


A B C D E



1. MATERIALS :
 - 1.1 INSULATOR: THERMOPLASTIC, UL 94V-0, BLACK
 - 1.2 SHIELD: COPPER ALLOY
 - 1.3 RJ MATING CONTACT: PHOSPHOR BRONZE
 - 1.4 RJ SOLDER TAIL: PHOSPHOR BRONZE
2. FINISH :
 - 2.1 SHIELD: 30u" Min. NICKEL PLATED OVERALL
 - 2.2 RJ MATING CONTACT: 30u" MIN. GOLD PLATED IN CONTACT AREA
30u" Min. NICKEL UNDERPLATED OVERALL.
 - 2.3 RJ SOLDER TAIL: 80u" Min. TIN PLATED IN SOLDER AREA,
30u" Min. NICKEL UNDERPLATED OVERALL.
3. NOTES:
 - 3.1 RESISTANCE TO SOLDERING HEAT: 265°C FOR 5 SECONDS,
AND ONLY FOR WAVE SOLDERING PROCESS.
 - 3.2 THIS COMPONENT AND ITS HOMOGENEOUS
SUBCOMPONENTS ARE RoHS COMPLIANT.
 - 3.3 SOLDER TAIL COPLANARITY 0.12 Max.



RECOMMENDED PCB LAYOUT(PCB THICKNESS: 1.6mm)
COMPONENT SIDE VIEW(TOLERANCE: ±0.05)

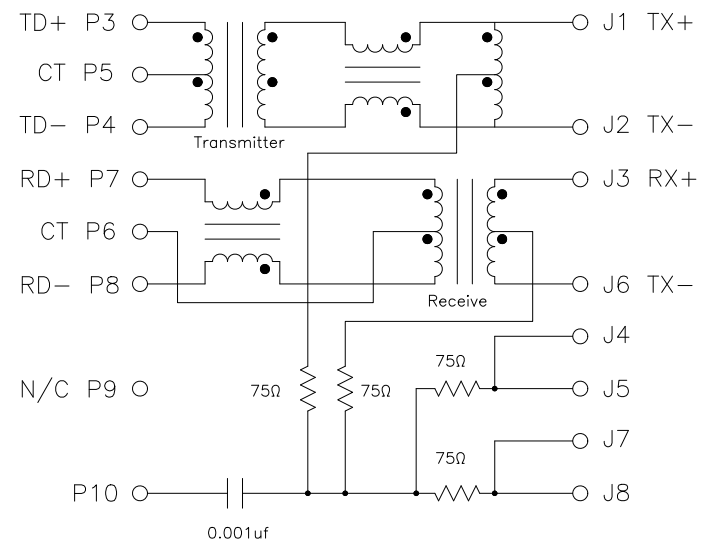
REV.	DESCRIPTION	ECN NO.	NAME	DATE
A0	NEW RELEASE		Julia	Jan.19.2012
REVISIONS				

DIM.	TOL.
X	
X.X	±0.30
X.XX	±0.25
X.XXX	±0.15
GENERAL ANGLE:	±3°

TITLE: RJ45 8P8C W/LED & TRANSFORMER 10/100 BASE-T R/A SMT TYPE				
DWG. NO.: C-RJ11A24BB2S6-88A			DRAWN: Julia	
PART NO.: XMH-RJ11A24BB2S6-88A			CHECKED: Kevin	
UNIT: mm	SCALE: none	SHEET: 1 OF 2	DWG. SIZE: A4	LAYER: CN220
APPROVED: Frank			RFQ NO.: Q1201076	



SCHEMATIC



4.ELECTRICAL SPECIFICATIONS:

- 4.1 TURNS RATIO: TX & Rx=1:1±3%
- 4.2 INSERTION LOSS:
 - @1~65MHz: -1.0dB MAX.
- 4.3 RETURN LOSS:
 - @1~10MHz: -20dB MIN. @30MHz: -16dB MIN.
 - @60~80MHz: -12dB MIN.
- 4.4 COMMON MODE REJECTION:
 - @1~50MHz: -30dB MIN. @50~130MHz: -20dB MIN.
- 4.5 COSSTALK: @1~00MHz: -40dB MIN.
 - @30~60MHz: -35dB MIN. @60~100MHz: -30dB MIN.
- 4.6 OCL: @100KHz, 0.1V, DC 8mA: 350uH MIN.
- 4.7 Hi-Pot: AC 1500V, 1mA, 60Sec.
- 4.8 OPERATING TEMPERATURE: -40°C ~ +85°C.

REV.	DESCRIPTION	ECN NO.	NAME	DATE
A0	NEW RELEASE		Julia	Jan.19.2012
REVISIONS				

DIM. TOL.
 X ±0.30
 X.X ±0.25
 X.XX ±0.15
 X.XXX ±0.15
 GENERAL ANGLE: ±3°

TITLE: RJ45 8P8C W/LED & TRANSFORMER 10/100 BASE-T R/A SMT TYPE				
DWG. NO.: C-RJ11A24BB2S6-88A			DRAWN: Julia	
PART NO.: XMH-RJ11A24BB2S6-88A			CHECKED: Kevin	
UNIT: mm	SCALE: none	SHEET: 2 OF 2	DWG. SIZE: A4	LAYER: CN220
APPROVED: Frank			RFQ NO.: Q1201076	

