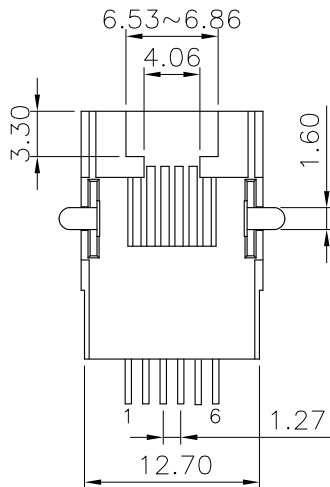
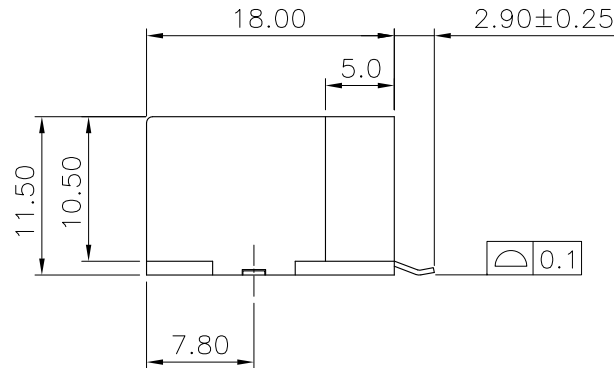
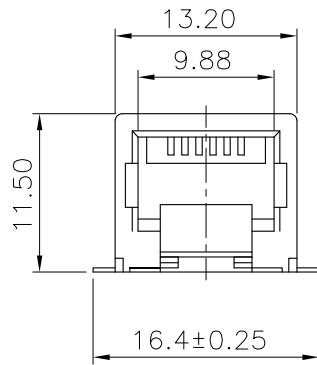


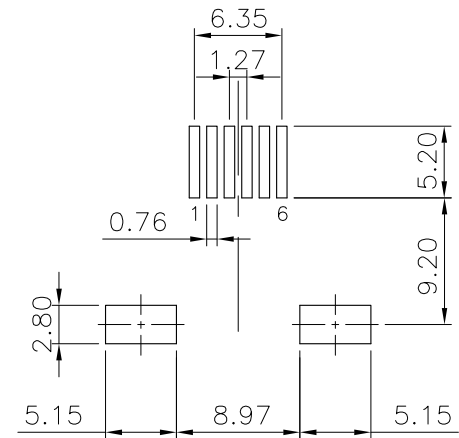
RoHS Compliance



MATERIAL:

- HOUSING—PA9T GN2330
HEAT RESISTANT PLOYAMIDE RESIN
BLACK COLOR, UL94V-0
- INSERT HOUSING—DSM STANYL TE250F6 (NYLON-46)
HEAT DEFLECTION TEMP.290°
BLACK COLOR, UL94V-0
- CONTACTS—0.35mm THICK PHOS-BRONZE
PLATED WITH 6μ" HARD GOLD AND
GOLD FLASH IN SOLDER AREA.
- HOLD DOWN—0.30mm THICK COPPER ALLOY,
PLATED WITH TIN.

CAVITY CONFIRMS TO FCC RULES AND REGULATIONS PART 68,SUBPART F.



PCB LAYOUT

Ref.

DO NOT SCALE
DRAWING

TOLERANCES UNLESS
OTHERWISE NOTED

INCH

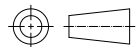
MM

DR.

CIAN.CI.LUO

DATE

SEP-20 '11



THIRD ANGLE PROJECTION

LINEAR

MM

INCH

00 ± .01
000 ± .005
0000 ± .002

0.0 ± 0.25
0.00 ± 0.13
0.000 ± 0.05

CK'D

M.CHANG

SEP-20 '11

MM
INCH

ANGLE ± 0° 30'

RADII

+ 0.40
- 0.15

APP'D

W.J.YANG

SEP-20 '11

XMULTIPLE

TITLE

RJ11, SMT TYPE
SIDE ENTRY PCB JACK

SCALE

SIZE

DWG.NO.

XMS-9778-6614-LFG