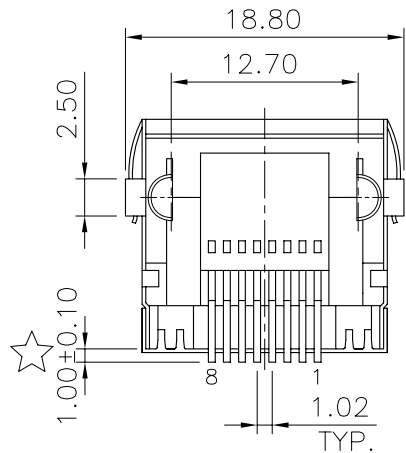
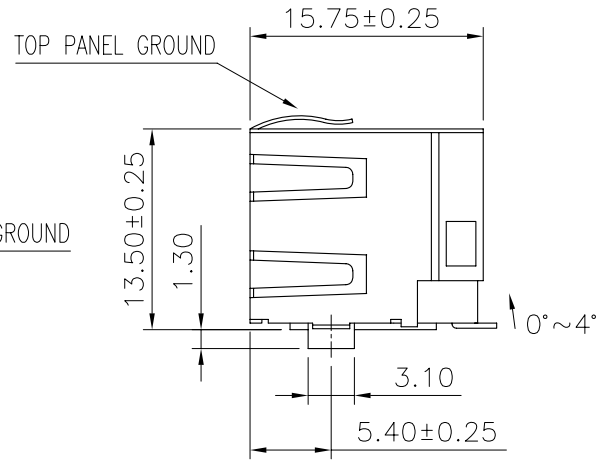
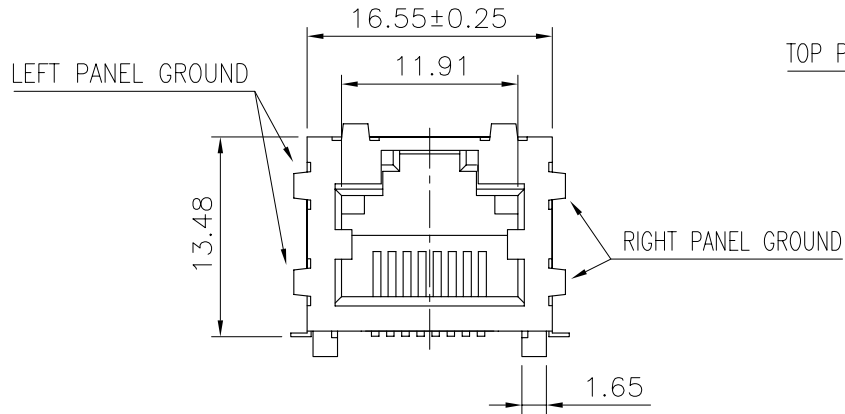
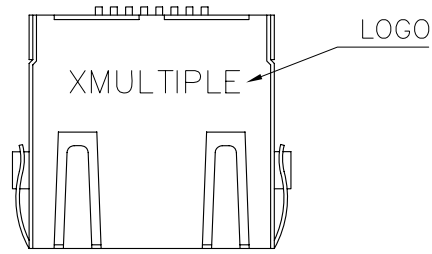


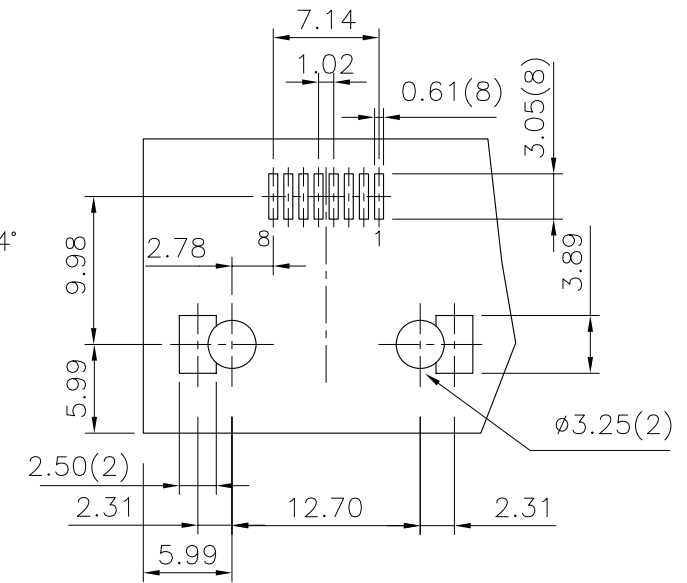
RoHS Compliance



MATERIAL:

- HOUSING-PA9T GN2330
HEAT RESISTANT PLOYAMIDE RESIN
BLACK COLOR, UL94V-0
- INSERT HOUSING-DSM STANYL TE250F6 (NYLON-46)
HEAT DEFLECTION TEMP.290°
BLACK COLOR, UL94V-0.
- CONTACTS-0.35mm THICK PHOS-BRONZE PLATED
WITH 6u" HARD GOLD ON
SOLDER AREA.
- SHIELD-0.25mm THICK COPPER ALLOY,
PLATED WITH NICKEL.

CAVITY CONFIRMS TO FCC RULES AND REGULATIONS
PART 68,SUBPART F.



PCB LAYOUT

Ref.

DO NOT SCALE DRAWING	TOLERANCES UNLESS OTHERWISE NOTED	INCH	MM	DR. <i>CIAN.CI.LUO</i>	DATE NOV-11 '10
THIRD ANGLE PROJECTION	LINEAR $\frac{MM}{INCH}$	$00 \pm$ $000 \pm$ $0000 \pm$	0.0 ± 0.25 0.00 ± 0.20 0.000 ± 0.10	CK'D <i>M.CHANG</i>	NOV-11 '10
MM INCH		RADII	$+0.40$ -0.15	APP'D <i>W.J.YANG</i>	NOV-11 '10

XMULTIPLE

TITLE MODULAR JACK, RJ45, WITHOUT LED'S
SHIELDED, SMT TYPE, SIDE ENTRY

SCALE SIZE DWG.NO.
XMS-9756-8814-S3-B-LFG