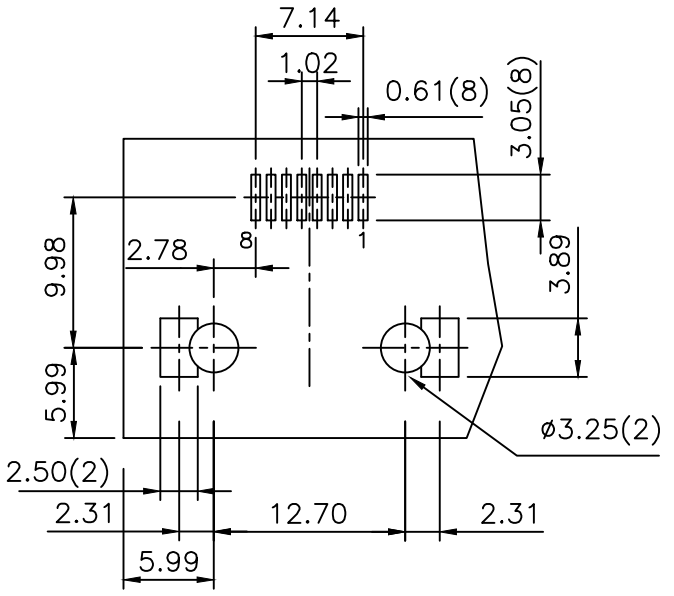
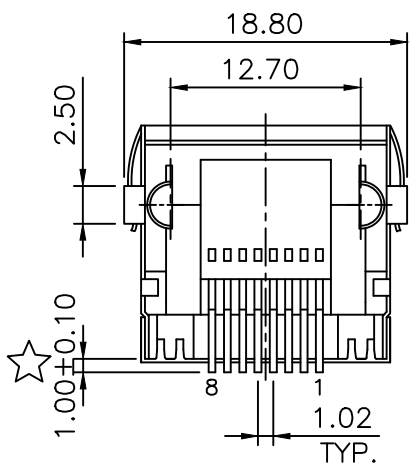
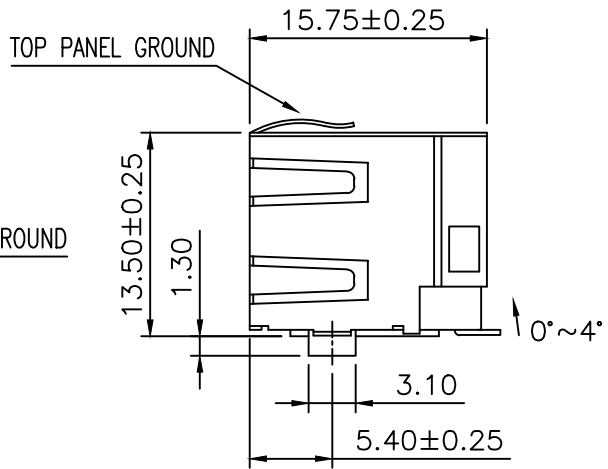
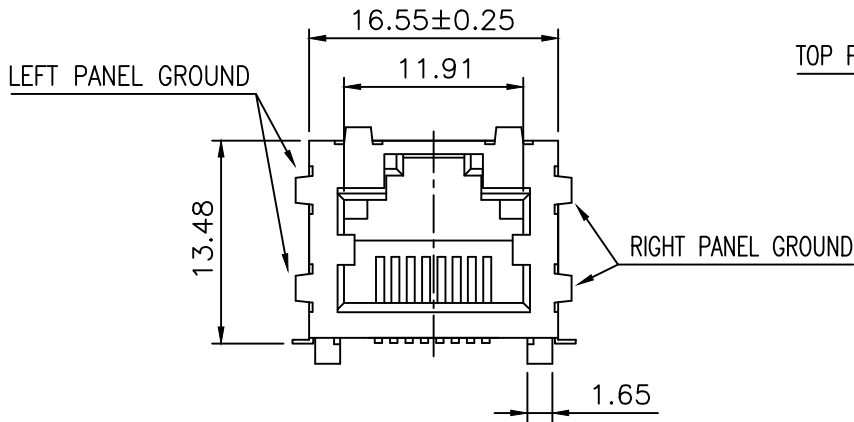
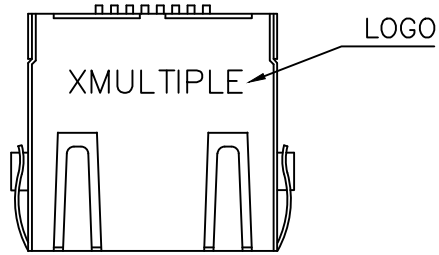


# RoHS Compliance



PCB LAYOUT  
Ref.

- MATERIAL:
- HOUSING-PA9T GN2330, UL HEAT RESISTANT PLOYAMIDE RESIN BLACK COLOR, UL94V-0
  - INSERT HOUSING-DSM STANYL TE250F6 (NYLON-46) HEAT DEFLECTION TEMP.290° BLACK COLOR, UL94V-0.
  - CONTACTS-0.35mm THICK PHOS-BRONZE PLATED WITH 50u" HARD GOLD ON CONTACT AREA.
  - SHIELD-0.25mm THICK COPPER ALLOY, PLATED WITH NICKEL.
- CAVITY CONFIRMS TO FCC RULES AND REGULATIONS PART 68,SUBPART F.

DO NOT SCALE DRAWING	TOLERANCES UNLESS OTHERWISE NOTED	INCH	MM	DR. <i>CIAN.CI.LUO</i>	DATE NOV-11 '10
THIRD ANGLE PROJECTION	LINEAR $\frac{MM}{INCH}$	00 ± 000 ± 0000 ±	0.0 ± 0.25 0.00 ± 0.20 0.000 ± 0.10	CK'D <i>M.CHANG</i>	NOV-11 '10
MM INCH		RADII	± 0.40 - 0.15	APP'D <i>W.J.YANG</i>	NOV-11 '10

***XMULTIPLE***

TITLE MODULAR JACK, RJ45, WITHOUT LED'S SHIELDED, SMT TYPE, SIDE ENTRY

SCALE SIZE DWG.NO.  
XMS-9756-8813-S3-B-LFG