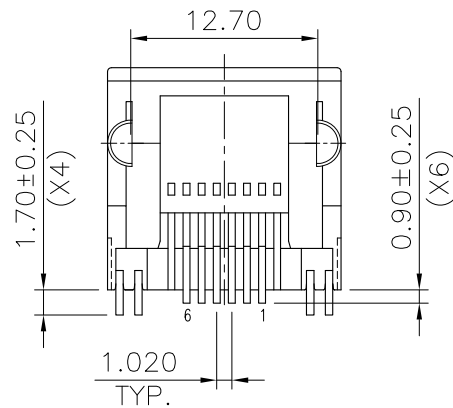
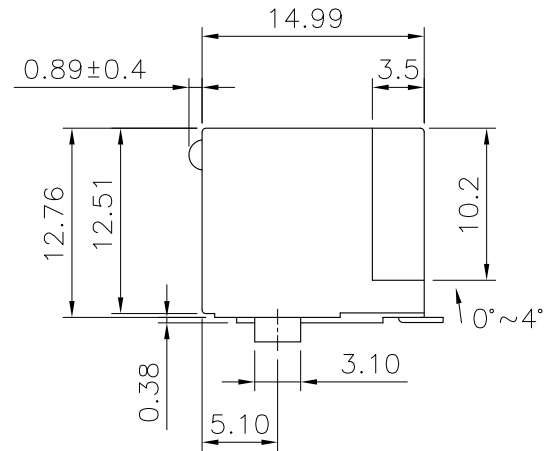
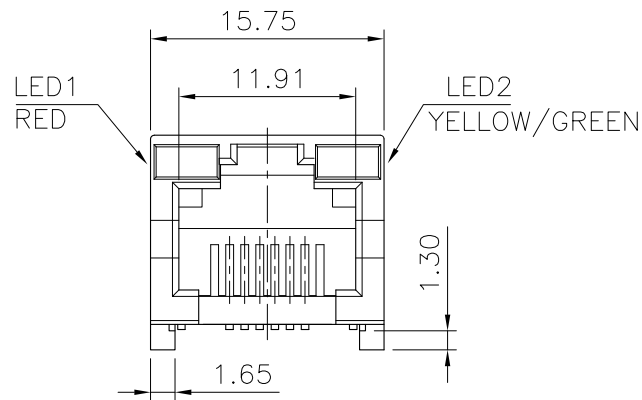
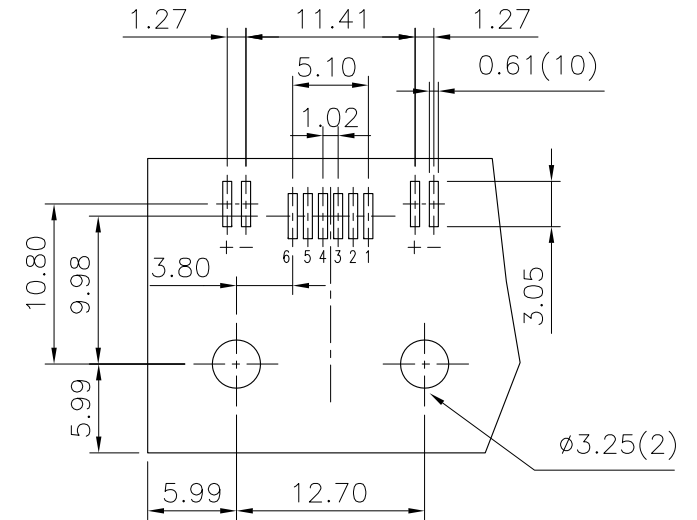


# RoHS Compliance



## MATERIAL:

- HOUSING-PA9T GN2330  
HEAT RESISTANT PLOYAMIDE RESIN  
BLACK COLOR, UL94V-0
  - INSERT HOUSING-DSM STANYL TE250F6 (NYLON-46)  
HEAT DEFLCTION TEMP.290°  
BLACK COLOR, UL94V-0.
  - CONTACTS-0.35mm THICK PHOS-BRONZE PLATED  
WITH 6u" HARD GOLD AND GOLD FLASH IN  
SOLDER AREA.
- CAVITY CONFIRMS TO FCC RULES AND REGULATIONS  
PART 68,SUBPART F.



## PCB LAYOUT

Ref.

DO NOT SCALE DRAWING	TOLERANCES UNLESS OTHERWISE NOTED	INCH	MM	DR. <i>CIAN.CI.LUO</i>	DATE SEP-20 '11	<b><i>XMULTIPLE</i></b>	
THIRD ANGLE PROJECTION	LINEAR	MM INCH	00 ± 000 ± 0000 ±	CK'D <i>M.CHANG</i>	SEP-20 '11		TITLE MODULAR JACK, RJ45, WITH LED'S SMT TYPE, SIDE ENTRY
MM INCH		RADII	+ 0.40 - 0.15	APP'D <i>W.J.YANG</i>	SEP-20 '11		SCALE SIZE DWG.NO. XMS-9756-8614-L26-LFG