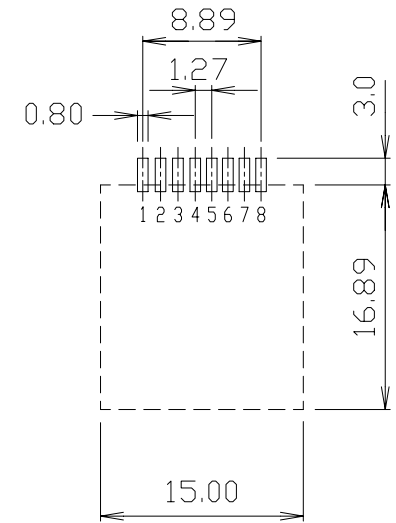
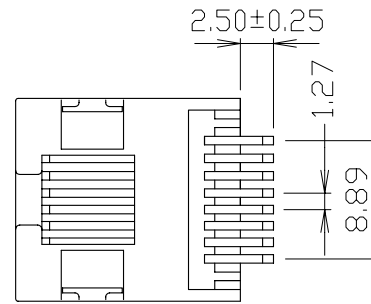
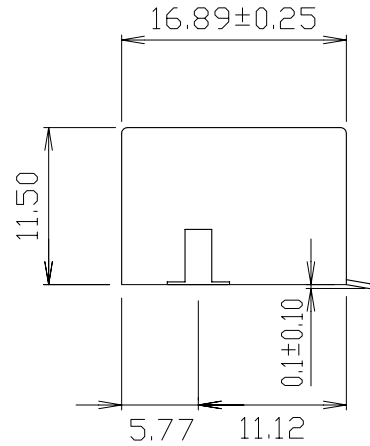
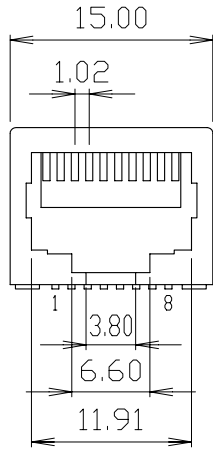
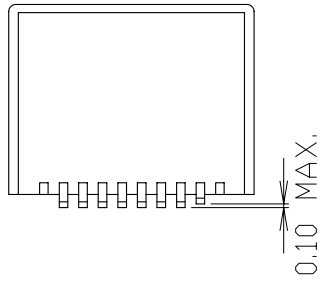


PROPOSAL

RoHS Compliance

COPLANARITY:
THE MAXIMUM DISTANCE
BETWEEN LOWEST AND
HIGHEST PIN WHEN
HOUSING RESTS
ON A FLAT SURFACE



PCB LAYOUT
Ref.

MATERIALS:

- HOUSING-PA9T GN2330
HEAT RESISTANT PLOYAMIDE RESIN
BLACK COLOR, UL94V-0
 - CONTACTS-0.35mm THICK PHOS-BRONZE PLATED
WITH 50u" HARD GOLD AND GOLD FLASH
IN SOLDER AREA.
- CAVITY CONFIRMS TO FCC RULES AND REGULATIONS
PART 68,SUBPART F.

operating temp -40 to +85 C

DO NOT SCALE
DRAWING

TOLERANCES UNLESS
OTHERWISE NOTED

INCH

MM

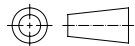
DR.

M.L.HUANG

DATE

APR-20 '11

XMULTIPLE



THIRD ANGLE PROJECTION

LINEAR $\frac{\text{MM}}{\text{INCH}}$

$00 \pm .01$
 $000 \pm .005$
 $0000 \pm .002$

0.0 ± 0.25
 0.00 ± 0.13
 0.000 ± 0.05

CK'D

M.CHANG

-

TITLE

10PDS. 8 CONTACTS,
LOW PROFILE 1 PORT, SIDE ENTRY SMT TYPE

MM
INCH

ANGLE $\pm 0^\circ 30'$

RADII

$+ 0.40$
 $- 0.15$

APP'D

W.J.YANG

-

SCALE

SIZE

DWG.NO.

XMS-9700-10813-G-LFG