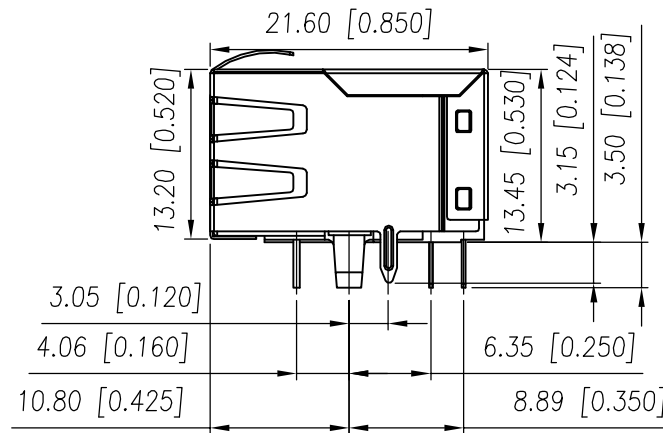
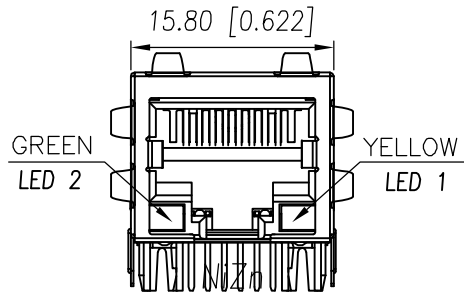
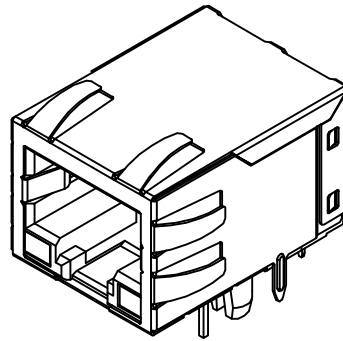
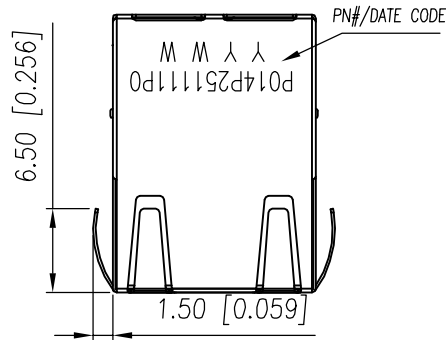


1. MECHANICAL DIMENSIONS :

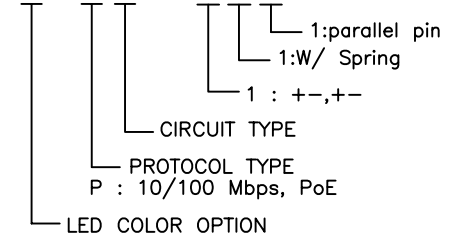


NOTES:

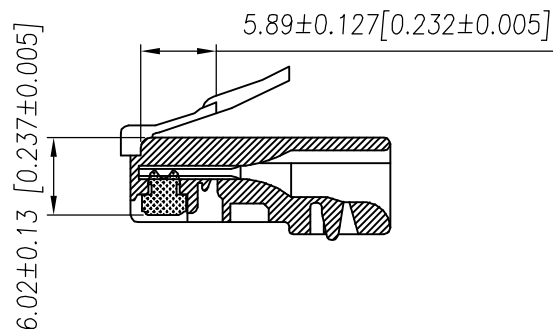
- MATERIALS:
HOUSING: HIGH TEMPERATURE PBT UL94V-0 BLACK
CONTACTS: T=0.30PHOSPHOR BORNZE, NICKEL UNDERPLATE ON ALL AREA, TIN ON TERMINATION END, HARD GOLD ON CONTACT AREA.
SHIELD: SUS T=0.20mm,NICKEL 50u" MIN PLATING.
- JACK CAVITY CONFORMS TO FCC RULES AND REGULATIONS PART 68, SUBPART F

PART NO:

XMP-01-4-P25-111-1P0



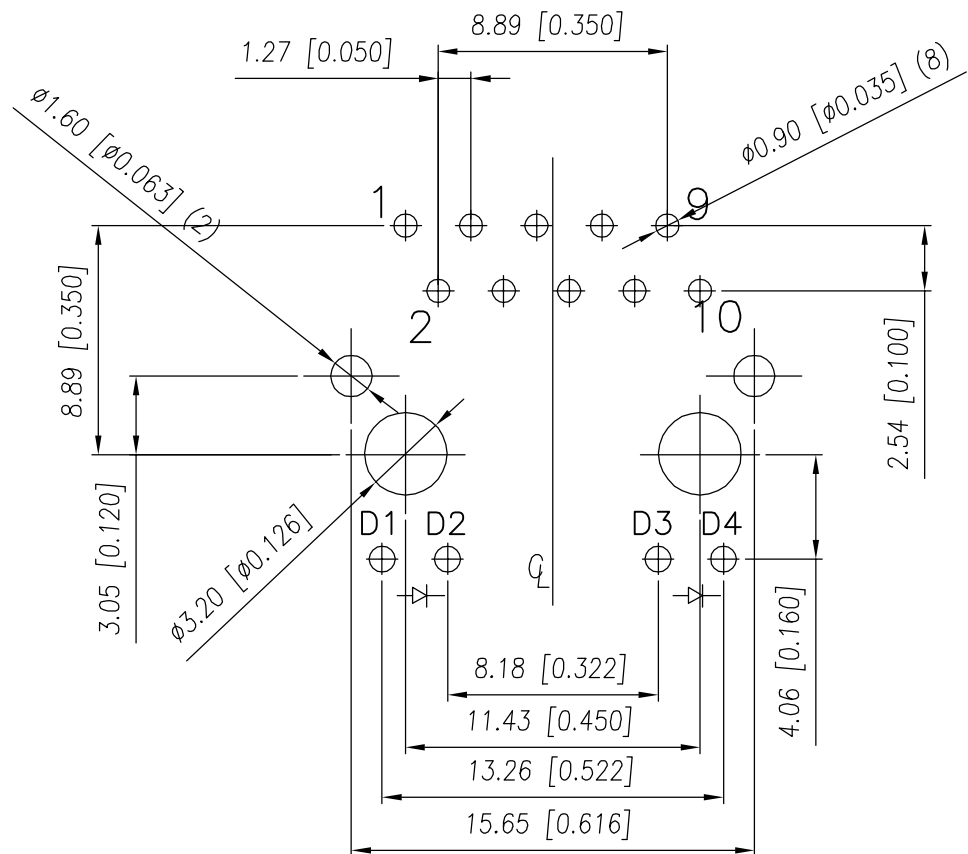
RECOMMENED PLUG DIMENSION:



RoHS Compliant

X MULTIPLE			CONNECTING THE INFORMATION AGE	
Xmultiple Technologies, Inc. 1060 Los Angeles Avenue Simi Valley, CA 93065			G/NO:	
THIS DRAWING IS A CONTROLLED DOCUMENT.			DWG NO: XMP-01-4-P25-111-1P0	
TITLE: RJ45 Connectors, W/LED,10P, 8C, Shielded/Thru Hole/10/100 Mbps FILTER,for PoE			DRAWN: Ivy Li	
PART NO: XMP-01-4-P25-111-1P0			CHKD: JEFF	
UNIT mm[inch]		SHEET 1 of 3	REV 01	DATE: 2011/10/06

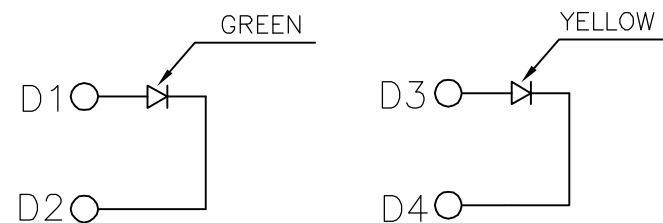
2. PCB LAYOUT



SUGGESTED PCB LAYOUT
(TOP VIEW)

DIMENSIONAL TOLERANCE: .XX $\pm 0.05 [0.001]$

3. LED CONFIGURATION



Color	Lens Color	Vf(v) @20mA		Iv(mcd) @10mA		Viewing angle
		Min	Max	Min	Typ	
Yellow	Yellow Diffused	1.7	2.8	3.0	6.0	116
Green	Green Diffused	1.7	2.8	3.5	6.0	116

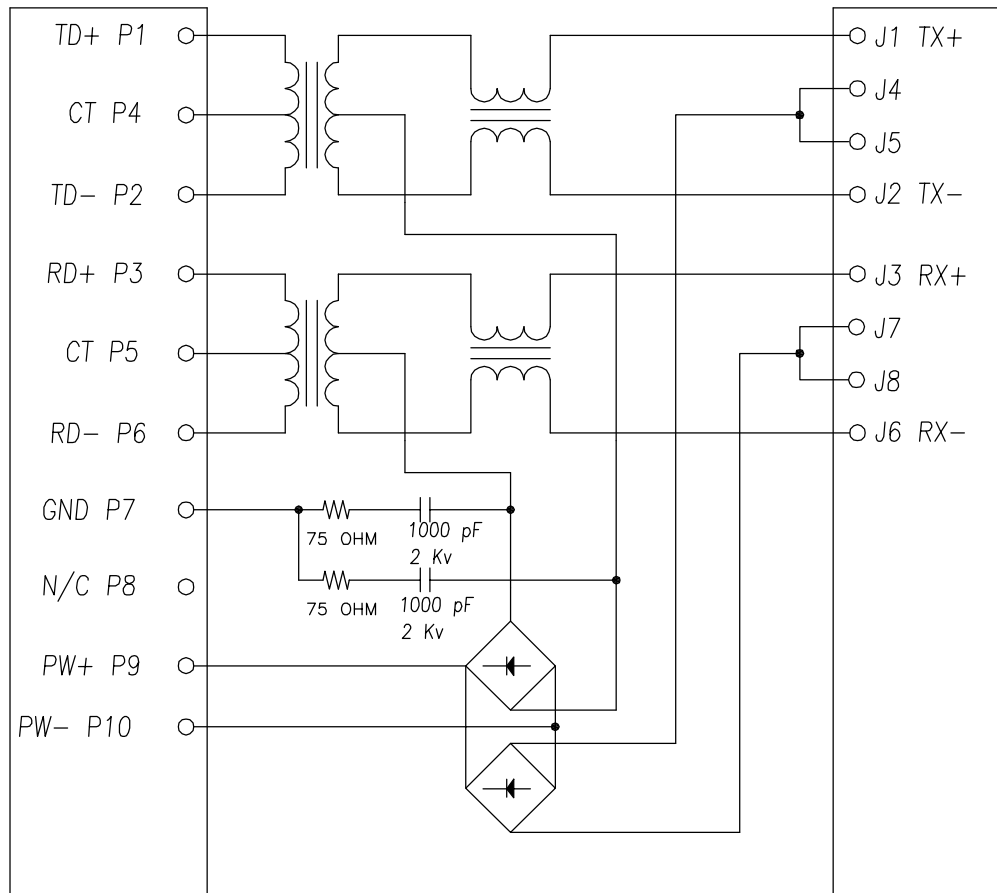
RoHS Compliant

X MULTIPLE		CONNECTING THE INFORMATION AGE	
<small>Xmultiple Technologies, Inc. 1060 Los Angeles Avenue Simi Valley, CA 93065</small>			G/NO:
THIS DRAWING IS A CONTROLLED DOCUMENT.			DWG NO: XMP-01-4-P25-111-1P0
TITLE: RJ45 Connectors, W/LED,10P, 8C, Shielded/Thru Hole/10/100 Mbps FILTER for PoE			DRAWN: Ivy Li
PART NO: XMP-01-4-P25-111-1P0			CHKD: JEFF
UNIT		SHEET	REV
mm[inch]		2 of 3	01
			DATE: 2011/10/06

4. SCHMATIC :

LAN CHIP SIDE

RJ CABLE SIDE



5. ELECTRICAL CHARACTERISTICS :

TEST NOTES:(25±5°C)

1.TR:(100KHz,0.1V);

PINS:(P1-P2):(J1-J2)=1:1±3%

PINS:(P3-P6):(J3-J6)=1:1±3%

2.LX:(100KHz,100mV,8mA, DC Bias)

PINS: (P1,P2),(P3,P6)=350uH MINIMUM

3.DCR:

PINS:(J1-J2),(J3-J6)= 1.2 OHMS MAXIMUM

4.HIPOT:

PINS(P1,P4,P2)TO(J1,J2)=1500VAC FOR 2 SECONDS

PINS(P3,P5,P6)TO(J3,J6)=1500VAC FOR 2 SECONDS

5.INSERTION LOSS:

-1.0dB MAXIMUM AT 1MHz TO 100MHz;

6.RETURN LOSS:

-20dB MINIMUM AT 1MHz TO 30MHz;

-15dB MINIMUM AT 30MHz TO 60MHz

-10dB MINIMUM AT 60MHz TO 80MHz

7.CROSS TALK:

-30dB MINIMUM AT 1MHz TO 100MHz

8.COMMON TO COMMON MODE REJECTION:

-30dB MINIMUM AT 1MHz TO 100MHz

RoHS Compliant

X MULTIPLE			CONNECTING THE INFORMATION AGE		
Xmultiple Technologies, Inc. 1060 Los Angeles Avenue Simi Valley, CA 93065			G/NO:		
THIS DRAWING IS A CONTROLLED DOCUMENT.			DWG NO: XMP-01-4-P25-111-1P0		
TITLE: RJ45 Connectors, W/LED,10P, 8C, Shielded/Thru Hole/10/100 Mbps FILTER,for PoE			DRAWN: Ivy Li		
PART NO: XMP-01-4-P25-111-1P0			CHKD: JEFF		
UNIT mm[inch]		SHEET 3 of 3	REV 01	DATE: 2011/10/06	