

REV.	ECN. NO.	NAME	DATE
A	NEW	Bob Zou	2010/10/10

A

A

B

B

C

C

D

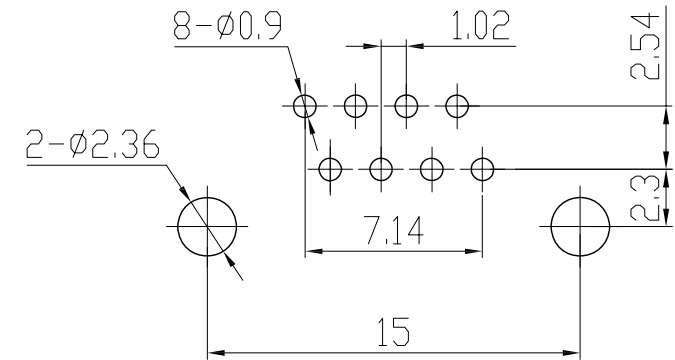
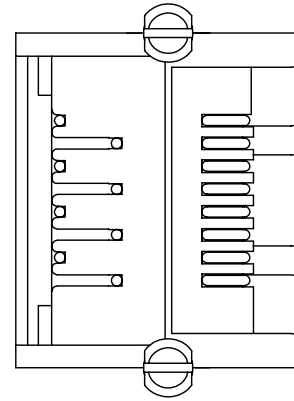
D

E

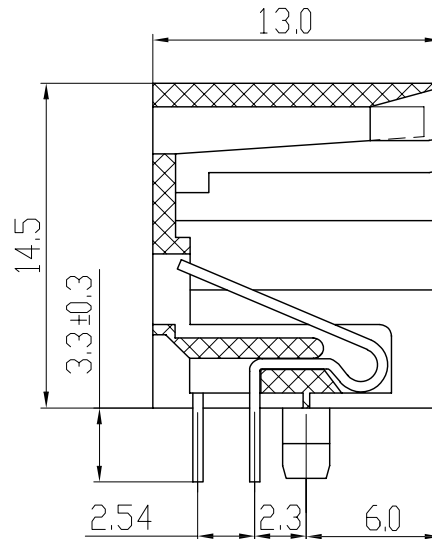
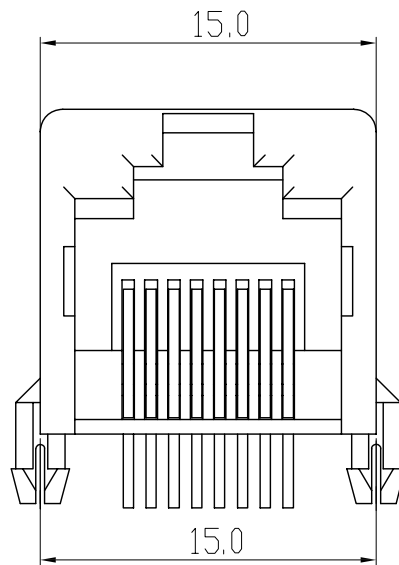
E

F

F



**SUGGESTED PCB LAYOUT**  
**TOP VIEW**  
 DIMENSIONAL TOLERANCE: .XX  $\pm$ 0.08[0.003]



**XMM-SC511-5521-8P8C-X**

XMM Series      PART NUMBER      CONTACTS GOLD PLATED

1: 15  $\mu$ "  
 2: 30  $\mu$ "  
 3: 50  $\mu$ "  
 4: 6 $\mu$ "  
 5: 3 $\mu$ "  
 6: GOLD FLASH

**NOTES:**

- MECHANICAL:  
 HOUSING: HIGH TEMP. THERMOPLASTIC, BLACK, UL 94V-0  
 CONTACTS: PHOSPHOR BORNZE, GOLD PLATING OVER NICKEL  
 DURABILITY:600 MATING CIRCLES MIN
- JACK CAVITY CONFORMS TO FCC RULES AND REGULATIONS PART 68, SUBPART F
- UNSPECIFIED TOLERANCE: .XX  $\pm$ 0.25[0.010]  
 .X  $\pm$ 0.30[0.012]

TOLERANCE UNSPECIFIED					
.0	$\pm$ 0.50				
.00	$\pm$ 0.38	TITLE: RJ45 Connectors, 8P, 10C, WITH OUT LED Shielded/Thru Hole/10/100 Mbps FILTER			
.000	$\pm$ 0.25	DRAWING	Bob Zou	SIZE: A4	UNIT: mm
ANGLE	$\pm$ 0.10	CHECKED		SCALE: FREE	PROJECTION
CUSTOMER	$\pm$ 3°	APPROVED	Bob Zou	DWG. PATH	C/XMM-SC511-5521-8P8C-X
	COPY				SHEET: 1 of 1