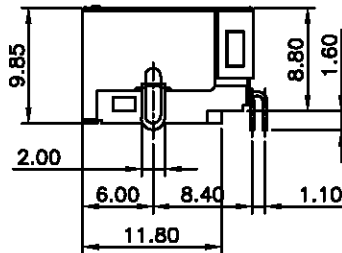
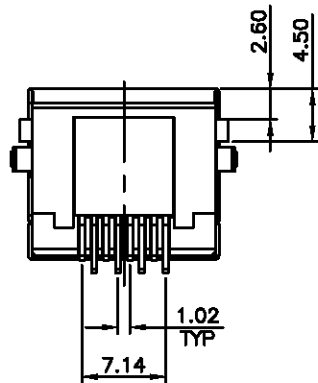
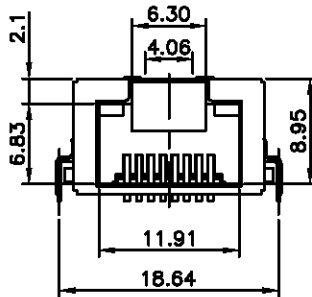
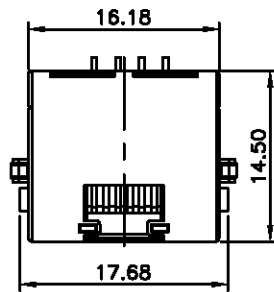


RoHS Compliance



NOTE:

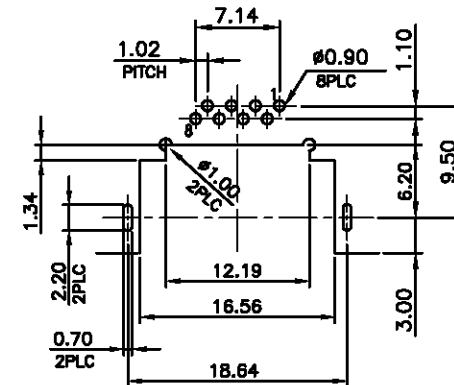
CAVITY CONFIRMS TO FCC RULES AND REGULATIONS PART 68, SUBPART F.

1. MATERIAL:

HOUSING: PA4T, WITH GLASS FIBER,
UL 94V-0, STANDARD COLOR-BLACK.
INSERT HOUSING: PA4T, WITH GLASS FIBER,
UL 94V-0, STANDARD COLOR-BLACK.
CONTACTS: PHOSPHOR BRONZE.
SHELL: BRASS.

2. FINISH:

CONTACTS: GOLD PLATED ON CONTACT AREA,
GOLD FLASH PLATED ON SOLDER TAIL,
WITH ENTIRE CONTACT UNDERPLATED
1.27 μ m [50 μ] MIN. NICKEL
SHELL: 0.508 μ m [20 μ] MIN. NICKEL PLATED.

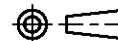


RECOMMENDED PCB LAYOUT

RECOMMENDED PCB THICKNESS: 1.2mm.
TOLERANCE: ± 0.05 (TOP VIEW)

THIS DRAWING IS A CONTROLLED DOCUMENT.
DO NOT SCALE DRAWING.

DIMENSIONS:
MM



THIRD ANGLE PROJECTION

MATERIAL SEE NOTES

DWN **A.HUANG**

CHK **M.CHANG**

APD **W.J.YANG**

TOLERANCES UNLESS OTHERWISE SPECIFIED:

0 PLC $\pm -$
1 PLC ± 0.30
2 PLC ± 0.20
3 PLC ± 0.10
ANGLES $\pm -$

FINISH SEE NOTES

DATE **OCT-05-2011**

DATE **OCT-05-2011**

DATE **OCT-05-2011**

XMULTIPLE

TITLE

RJ45 JACK

SIZE **A3**

WEIGHT **- GRAMS**

CAUSE CODE **-**

Ref.

DRAWING NO

XMM-9798-H

REV **A**

SHEET **1**

LTR	DESCRIPTION	DATE	APD
REVISIONS			