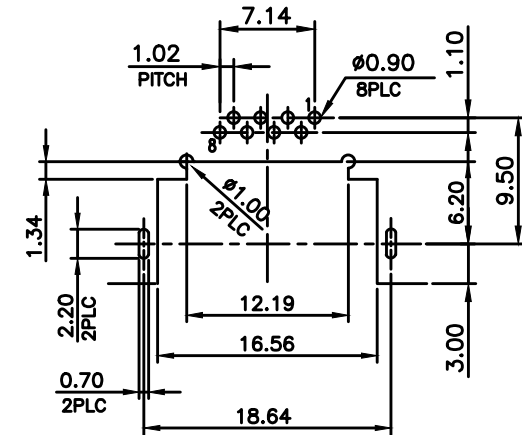
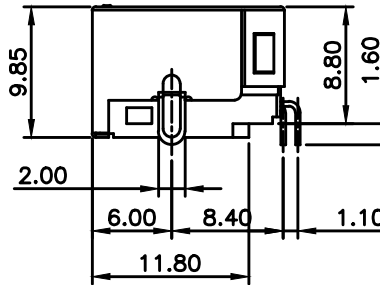
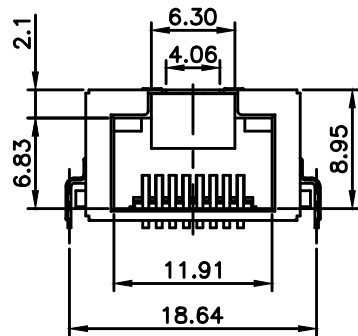
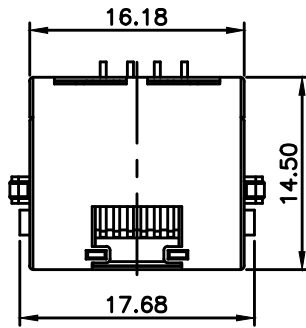


RoHS Compliance

NOTE:

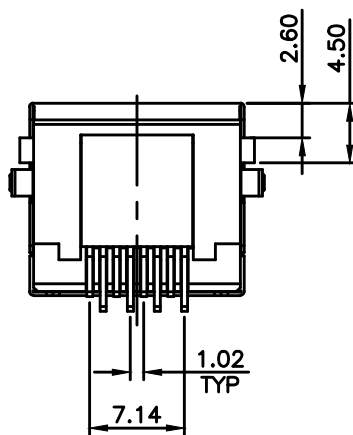
CAVITY CONFIRMS TO FCC RULES AND REGULATIONS PART 68, SUBPART F.

1. MATERIAL:
 HOUSING: PA4T, WITH GLASS FIBER,,
 UL 94V-0, STANDARD COLOR-BLACK.
 INSERT HOUSING: PA4T, WITH GLASS FIBER,
 UL 94V-0, STANDARD COLOR-BLACK.
 CONTACTS: PHOSPHOR BRONZE.
 SHELL: BRASS.
2. FINISH:
 CONTACTS: GOLD PLATED ON CONTACT AREA,
 GOLD FLASH PLATED ON SOLDER TAIL,
 WITH ENTIRE CONTACT UNDERPLATED
 1.27 μm [50 $\mu\text{\"}$] MIN. NICKEL
 SHELL: 0.508 μm [20 $\mu\text{\"}$] MIN. NICKEL PLATED.



RECOMMENDED PCB LAYOUT

RECOMMENDED PCB THICKNESS: 1.2mm.
 TOLERANCE: ± 0.05 (TOP VIEW)



THIS DRAWING IS A CONTROLLED DOCUMENT.
 DO NOT SCALE DRAWING.

DIMENSIONS: MM
 TOLERANCES UNLESS OTHERWISE SPECIFIED:

THIRD ANGLE PROJECTION
 MATERIAL: SEE NOTES
 FINISH: SEE NOTES

DWN	A.HUANG	DATE	OCT-05-2011
CHK	M.CHANG	DATE	OCT-05-2011
APVD	W.J.YANG	DATE	OCT-05-2011

XMULTIPLE

TITLE: RJ45 JACK

LTR	DESCRIPTION	DATE	APVD
REVISIONS			

SIZE	CAUSE CODE	DRAWING NO
A3	-	XMM-9798-8815-S0-H-HFG
WEIGHT	- GRAMS Ref.	REV A SHEET 1