

# RoHS Compliance

NOTE:

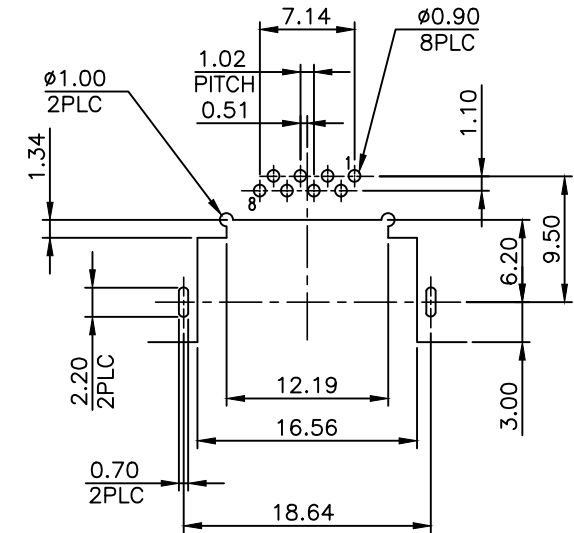
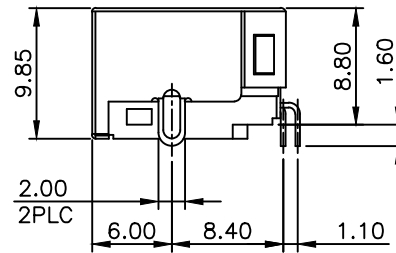
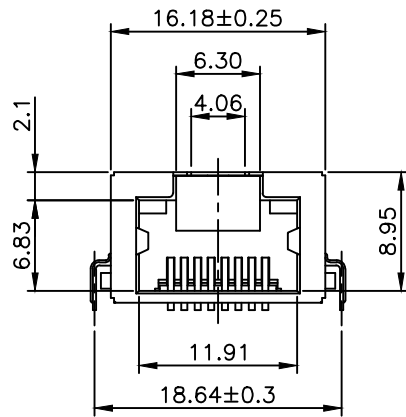
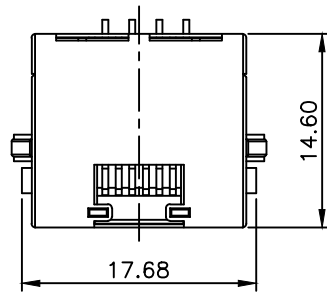
CAVITY CONFIRMS TO FCC RULES AND REGULATIONS PART 68, SUBPART F.

1. MATERIAL:

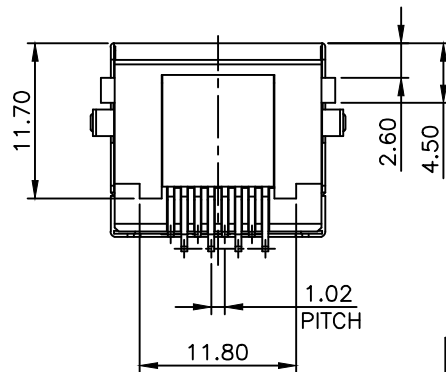
- 1.1 HOUSING: PA4T, WITH GLASS FIBER, UL94V-0, STANDARD COLOR-BLACK.
- 1.2 INSERT HOUSING: PA4T, WITH GLASS FIBER, UL94V-0, STANDARD COLOR-BLACK.
- 1.3 CONTACTS: PHOSPHOR BRONZE.
- 1.4 SHELL: BRASS.

2. FINISH:

- 2.1 CONTACTS: GOLD FLASH PLATED ON CONTACT AREA, GOLD FLASH PLATED ON SOLDER TAIL, 1.27 $\mu\text{m}$  [50 $\mu''$ ] MIN. NICKEL UNDERPLATED OVERALL.
- 2.2 SHELL: 0.508 $\mu\text{m}$  [20 $\mu''$ ] MIN. NICKEL PLATED.

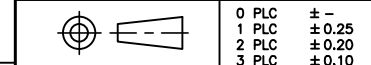


RECOMMENDED PCB LAYOUT  
 RECOMMENDED PCB THICKNESS: 1.2mm.  
 TOLERANCE: ±0.05 (TOP VIEW)



THIS DRAWING IS A CONTROLLED DOCUMENT.  
 DO NOT SCALE DRAWING.

DIMENSIONS: MM	TOLERANCES UNLESS OTHERWISE SPECIFIED:
	0 PLC ± -
	1 PLC ±0.25
	2 PLC ±0.20
	3 PLC ±0.10
	ANGLES ± -



THIRD ANGLE PROJECTION

MATERIAL SEE NOTES FINISH SEE NOTES

DWN	A.HUANG	DATE	MAY-05-2015
CHK	M.CHANG	DATE	MAY-05-2015
APVD	W.J.YANG	DATE	MAY-05-2015

# XMULTIPLE

TITLE  
 MODULAR JACK, RJ45,  
 WITH SHELL, DIP TYPE

LTR	DESCRIPTION	DATE	APVD
REVISIONS			

SIZE	CAUSE CODE	DRAWING NO
A3	-	XMM-9798-8815-S0-H-A-HFG
WEIGHT	- GRAMS Ref.	REV A SHEET 1