

RoHS Compliance

HALOGEN FREE

Operating Temperature: -40°C to 85°C

NOTE:

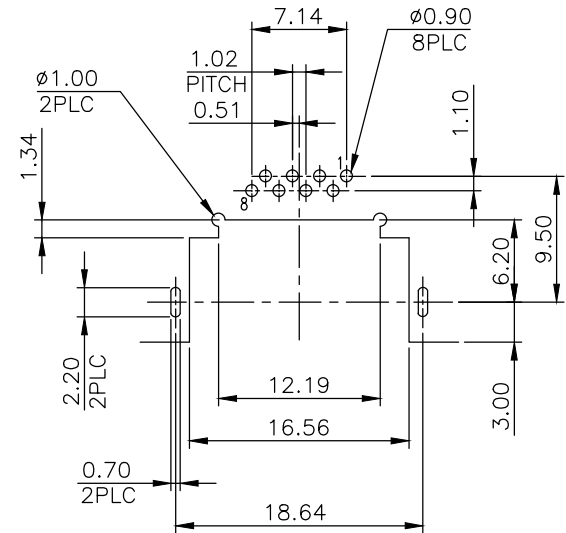
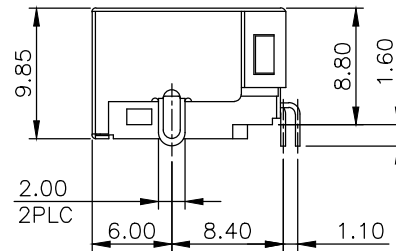
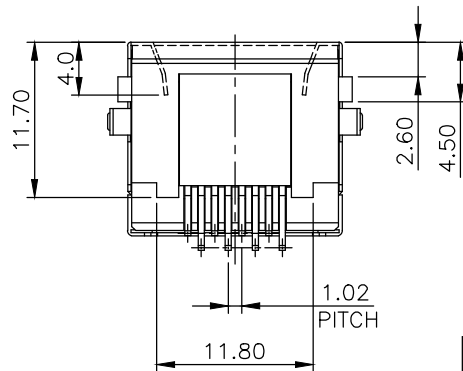
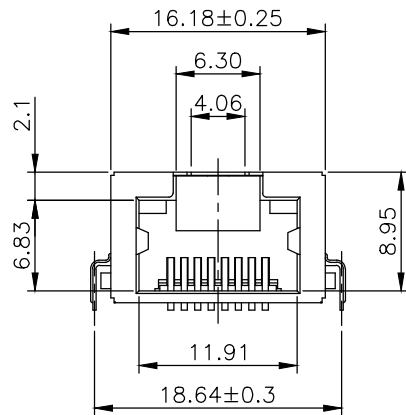
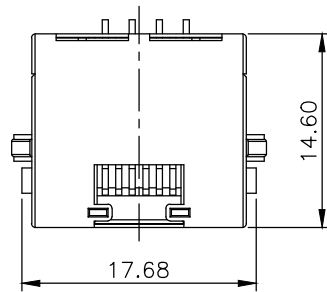
CAVITY CONFIRMS TO FCC RULES AND REGULATIONS PART 68, SUBPART F.

1. MATERIAL:

- 1.1 HOUSING: PA4T, WITH GLASS FIBER, UL94V-0, STANDARD COLOR-BLACK.
- 1.2 INSERT HOUSING: PA4T, WITH GLASS FIBER, UL94V-0, STANDARD COLOR-BLACK.
- 1.3 CONTACTS: PHOSPHOR BRONZE.
- 1.4 SHELL: BRASS.

2. FINISH:

- 2.1 CONTACTS: GOLD FLASH PLATED ON CONTACT AREA, GOLD FLASH PLATED ON SOLDER TAIL, 1.27μm [50μ"] MIN. NICKEL UNDERPLATED OVERALL.
- 2.2 SHELL: 0.508μm [20μ"] MIN. NICKEL PLATED.



RECOMMENDED PCB LAYOUT
 RECOMMENDED PCB THICKNESS: 1.2mm.
 TOLERANCE: ±0.05 (TOP VIEW)

THIS DRAWING IS A CONTROLLED DOCUMENT.
 DO NOT SCALE DRAWING.

DIMENSIONS: MM
 TOLERANCES UNLESS OTHERWISE SPECIFIED:

0 PLC	± -
1 PLC	±0.25
2 PLC	±0.20
3 PLC	±0.10
ANGLES	± -

THIRD ANGLE PROJECTION
 MATERIAL: SEE NOTES
 FINISH: SEE NOTES

XMULTIPLE

TITLE
 MODULAR JACK, RJ45,
 WITH SHELL, DIP TYPE

LTR	DESCRIPTION	DATE	APVD
REVISIONS			

DWN	A.HUANG	DATE	MAY-05-2015
CHK	M.CHANG		MAY-05-2015
APVD	W.J.YANG		MAY-05-2015

SIZE	CAUSE CODE	DRAWING NO
A3	-	XMM-9798-8815-S0-H-A-HFG-AXS
WEIGHT	- GRAMS Ref.	REV A SHEET 1