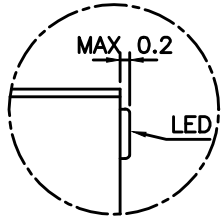
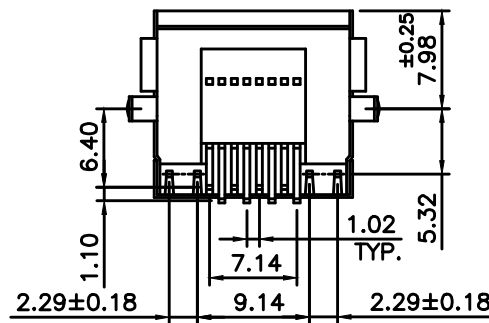
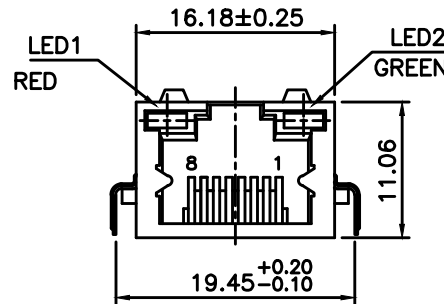
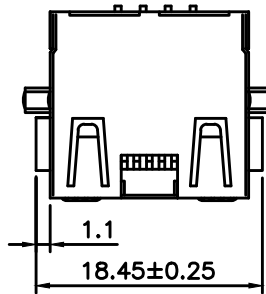
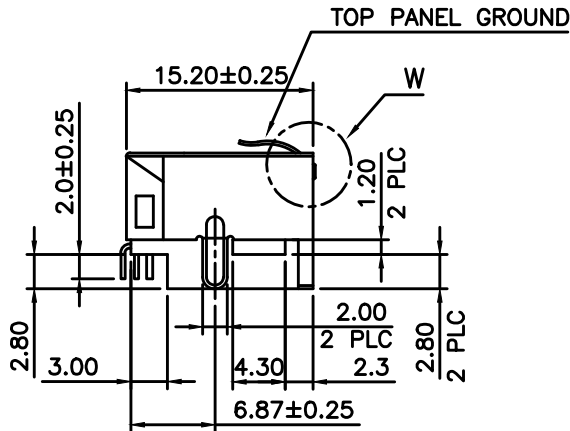


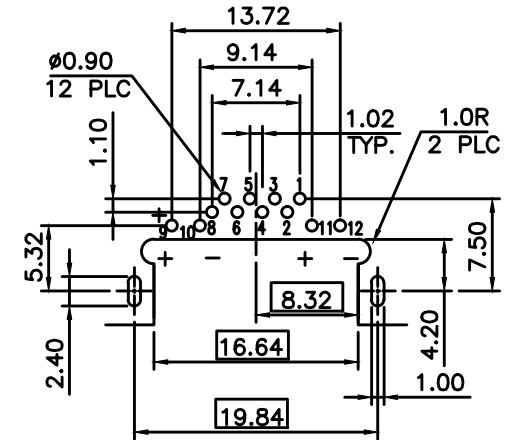
RoHS Compliance



DETAIL W



- MATERIAL:**
- HOUSING—DSM STANYL TE250F6 (NYLON-46)
HEAT DEFLECTION TEMP.290°
BLACK COLOR, UL94V-0
 - INSERT HOUSING—DSM STANYL TE250F6 (NYLON-46)
HEAT DEFLECTION TEMP.290°
BLACK COLOR, UL94V-0.
 - CONTACTS—0.35mm THICK PHOS-BRONZE PLATED
WITH 6u" HARD GOLD AND GOLD FLASH IN
SOLDER AREA.
 - SHIELD—0.20mm THICK COPPER ALLOY,
PLATED WITH NICKEL.
- CAVITY CONFIRMS TO FCC RULES AND REGULATIONS
PART 68,SUBPART F.



PCB LAYOUT
Ref.

DO NOT SCALE DRAWING	TOLERANCES UNLESS OTHERWISE NOTED	INCH	MM	DR. <i>CIAN.CI.LUO</i>	DATE SEP-14 '09	XMULTIPLE
THIRD ANGLE PROJECTION	LINEAR $\frac{MM}{INCH}$	00 ± 000 ± 0000 ±	0.0 ± 0.25 0.00 ± 0.20 0.000 ± 0.10	CK'D <i>M.CHANG</i>	SEP-14 '09	
MM INCH	ANGLE ± 0° 30'	RADII	+ 0.40 - 0.15	APP'D <i>W.J.YANG</i>	SEP-15 '09	SCALE SIZE DWG.NO. XMM-9798-8814-S1L17-LFG-MSB