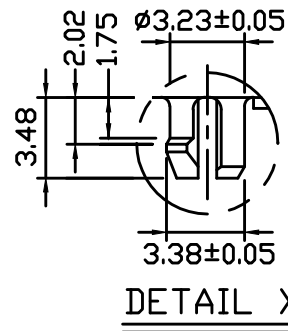
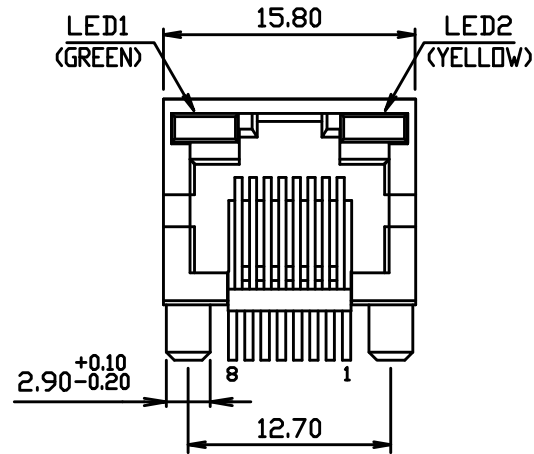
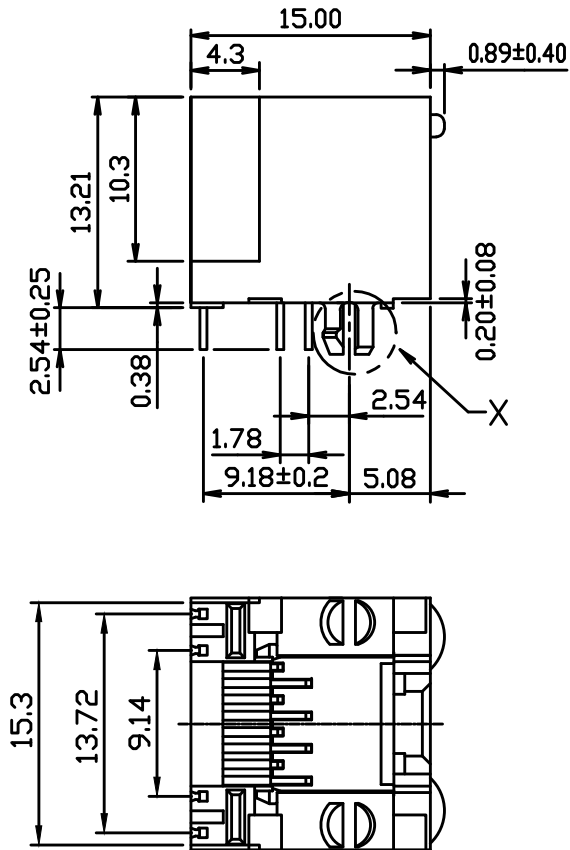


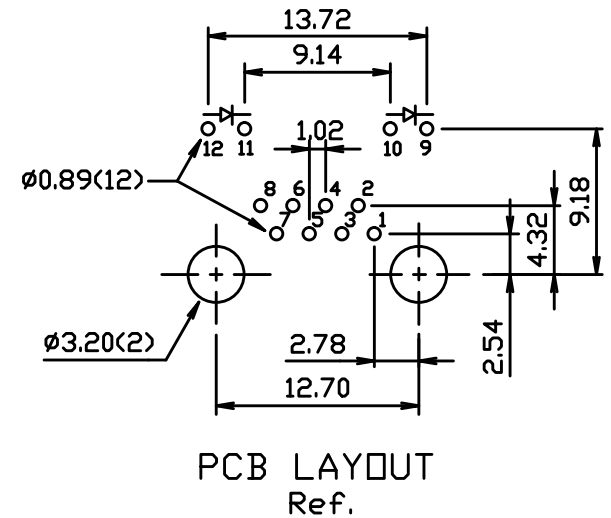
# RoHS Compliance



**MATERIALS:**

- HOUSING-DSM STANYL TE250F6 (NYLON-46)  
HEAT DEFLECTION TEMP.290°  
BLACK COLOR,UL94V-0
- CONTACTS-0.35mm THICK PHOS-BRONZE PLATED  
WITH 6u' HARD GOLD ON  
SOLDER AREA.

CAVITY CONFIRMS TO FCC RULES AND REGULATIONS  
PART 68,SUBPART F.



DO NOT SCALE DRAWING	TOLERANCES UNLESS OTHERWISE NOTED	INCH	MM	DR. <i>M.L.HUANG</i>	DATE SEP-15 '10
THIRD ANGLE PROJECTION	LINEAR $\frac{\text{MM}}{\text{INCH}}$	00 ± .01 000 ± .005 0000 ± .002	0.0 ± 0.25 0.00 ± 0.13 0.000 ± 0.05	CK'D <i>M.CHANG</i>	SEP-15 '10
MM INCH	ANGLE ± 0° 30'	RADII	+ 0.40 - 0.15	APP'D <i>W.J.YANG</i>	SEP-16 '10

<i>XMULTIPLE</i>	
TITLE	RJ45, WITH LED'S FLAT PIN, SIDE ENTRY JACK
SCALE	SIZE DWG.NO.
XMM-9714-8814-L2-E-IM-AVY	