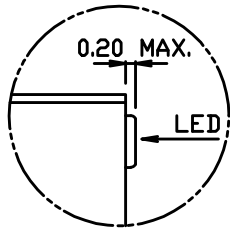
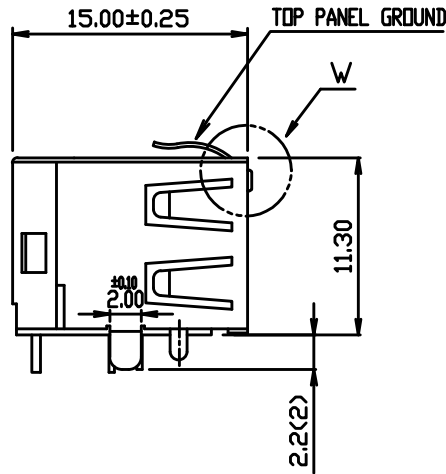
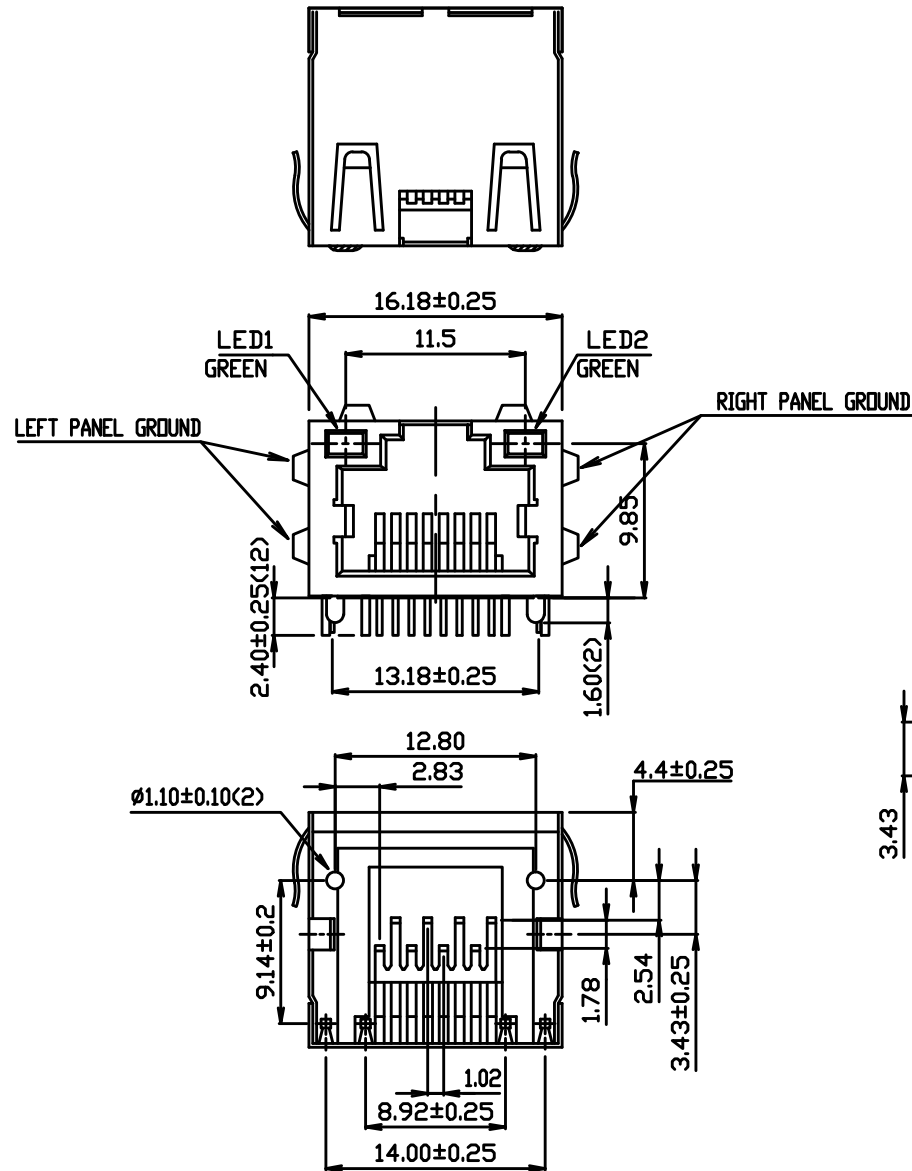


RoHS compliance

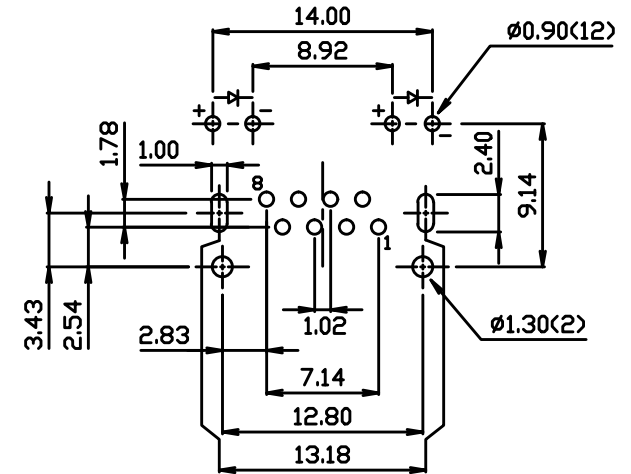


DETAIL W



MATERIAL:
 ·HOUSING-PA9T GN2330
 HEAT RESISTANT PLOYAMIDE RESIN
 BLACK COLOR, UL94V-0
 ·CONTACTS-0.35mm THCIK PHOS-BRONZE PLATED
 WITH 50u" HARD GOLD AND GOLD FLASH IN
 SOLDER AREA.
 ·SHIELD-0.25mm THICK COPPER ALLOY,
 PLATED WITH NICKEL.
 CAVITY CONFIRMS TO FCC RULES AND REGULATIONS
 PART 68,SUBPART F.

The operating temp of -40 to +85 Deg C



PCB LAYOUT
 Ref.

DO NOT SCALE DRAWING	TOLERANCES UNLESS OTHERWISE NOTED	INCH	MM	DR. <i>CIAN.CI.LUO</i>	DATE NOV-19 '10	XMULTIPLE
THIRD ANGLE PROJECTION	LINEAR $\frac{MM}{INCH}$	00 ± .01 000 ± .005 0000 ± .002	0.0 ± 0.25 0.00 ± 0.13 0.000 ± 0.05	CK'D <i>M.CHANG</i>	NOV-19 '10	
MM INCH	ANGLE ± 0° 30'	RADII	+ 0.40 - 0.15	APP'D <i>W.J.YANG</i>	NOV-19 '10	SCALE SIZE DWG.NO. XMM-9621-8813-S3L3-A-LFG-IM