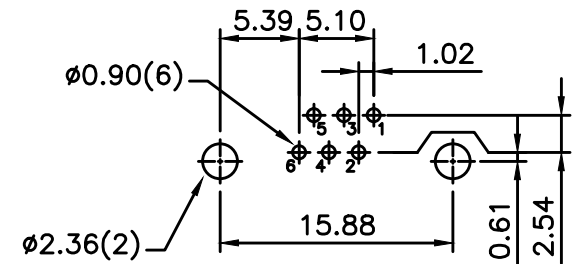
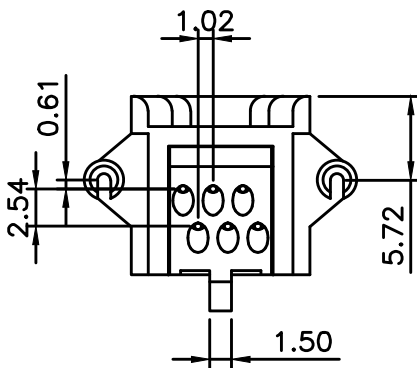
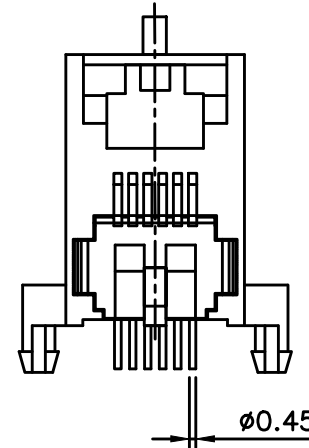
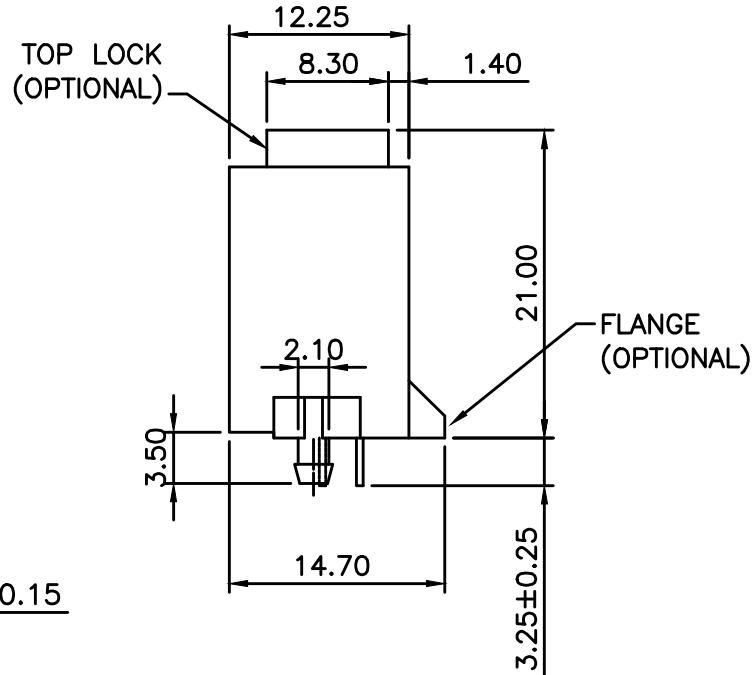
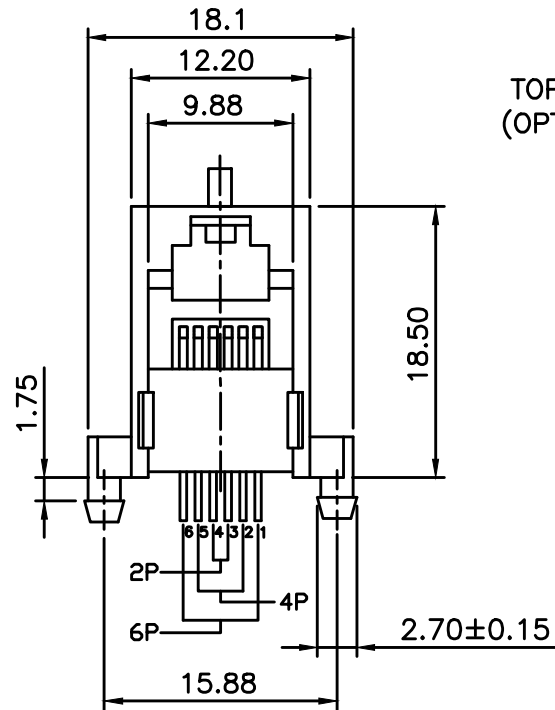


RoHS Compliance

MATERIAL:
 HOUSING—PBT POLYESTER UL94V-0
 MIXED GLASS FIBER
 STANDARD COLOR—BLACK
 CONTACTS—0.45mm DIAMETER PHOS—BRONZE
 PLATED WITH 30U" HARD GOLD.
 CAVITY CONFIRMS TO FCC RULES AND REGULATIONS
 PART 68,SUBPART F.



PCB LAYOUT
 Ref.

DO NOT SCALE DRAWING	TOLERANCES UNLESS OTHERWISE NOTED	INCH	MM	DR. M.L.HUANG	DATE MAR-24 '08	<i>XMULTIPLE</i>	
THIRD ANGLE PROJECTION	LINEAR $\frac{\text{MM}}{\text{INCH}}$	$00 \pm .01$ $000 \pm .005$ $0000 \pm .002$	0.0 ± 0.25 0.00 ± 0.13 0.000 ± 0.05	CK'D M.CHANG	MAR-24 '08		
MM INCH	ANGLE $\pm 0^\circ 30'$	RADII	$+0.40$ -0.15	APP'D W.J.YANG	MAR-25 '08	SCALE SIZE DWG.NO. XMM-9616-6612	REV. SHEET 4 1