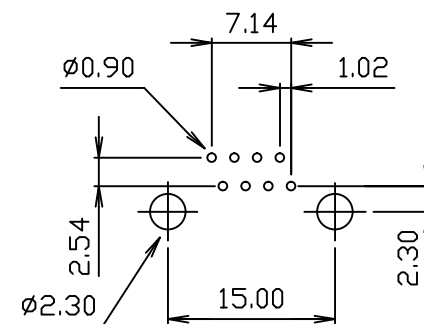
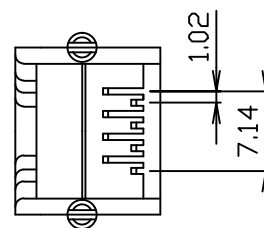
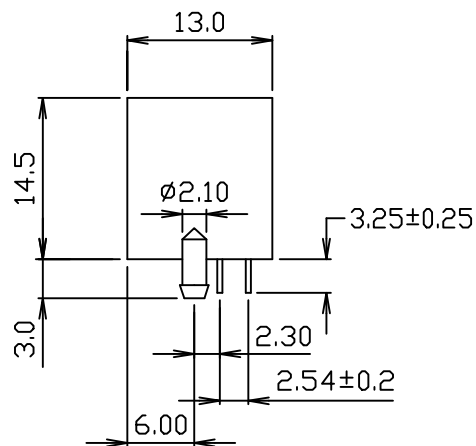
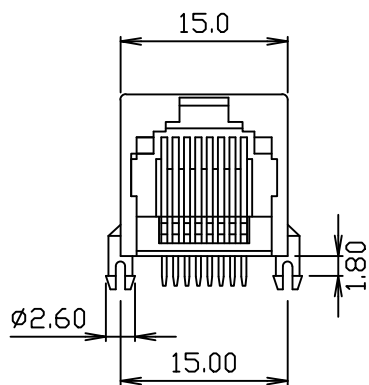
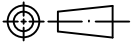


MATERIAL: HOUSING-PBT POLYESTER PHOS-BRONZE
 MIXED GLASS FIBER
 STANDARD COLOR-GRAY.
 CONTACTS-0.45mm DIAMETER PHOS-BRONZE
 PLATED WITH HARH GOLD.
 CAVITY CONFIRMS TO FCC RULES AND REGULATIONS
 PART68,SUBPART F.



PC Board Layout

DO NOT SCALE DRAWING	TOLERANCES UNLESS OTHERWISE NOTED	INCH	MM	DR. M.L.HUANG	DATE OCT-20 '00	<i>XMULTIPLE</i>			
 THIRD ANGLE PROJECTION	LINEAR	$\frac{\text{MM}}{\text{INCH}}$	$00 \pm .01$ $000 \pm .005$ $0000 \pm .002$	0.0 ± 0.25 0.00 ± 0.13 0.000 ± 0.05	CK'D M.CHANG	OCT-20 '00	TITLE 8POSITION SHIELDLESS FLANGELESS MINI LOW PROFILE, SIDE ENTRY PCB JACK		
MM INCH	ANGLE $\pm 0^{\circ} 30'$	RADII	$+ 0.40$ $- 0.15$	APP'D			SCALE SIZE DWG.NO. XMM-9612-8815	REV. 1	SHEET 1