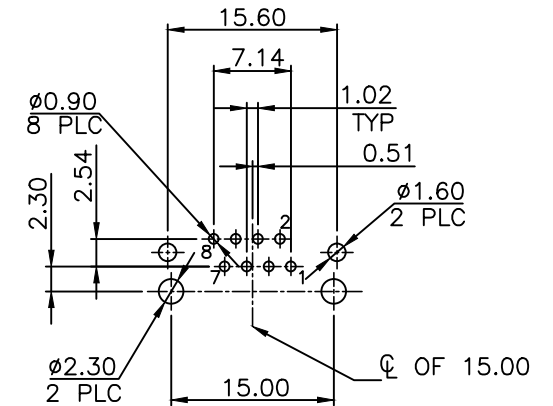
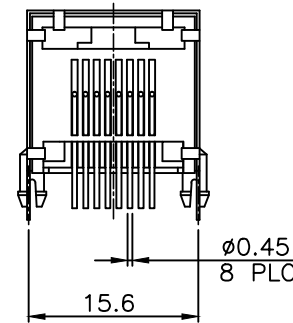
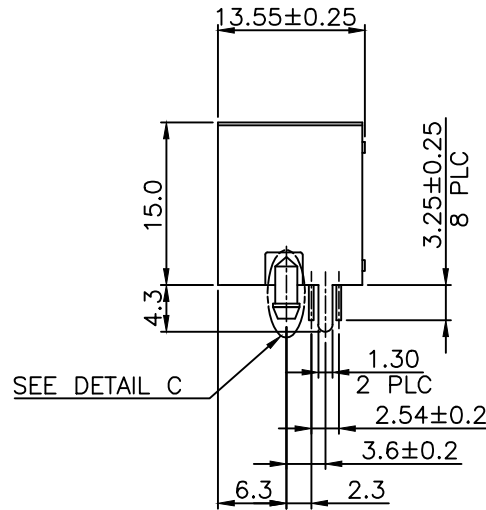
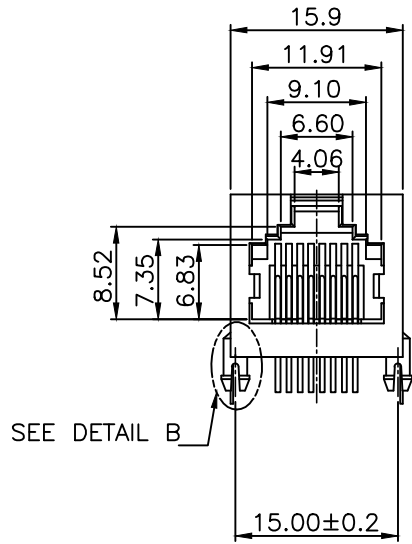


RoHS Compliance

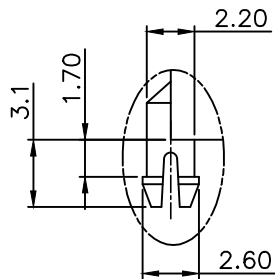
NOTE:

CAVITY CONFIRMS TO FCC RULES AND REGULATIONS PART 68, SUBPART F.

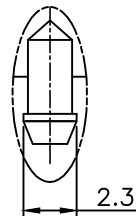
1. MATERIAL:
HOUSING: PBT, WITH GLASS FIBER,
UL 94V-0, STANDARD COLOR-BLACK.
CONTACTS: PHOSPHOR BRONZE.
SHELL: BRASS.
2. FINISH:
CONTACTS: GOLD PLATED ON ENTIRE CONTACT,
1.27 μ m [50 μ "] MIN. NICKEL UNDERPLATED
ALL OVER.
SHELL: 0.508 μ m [20 μ "] MIN. NICKEL PLATED.



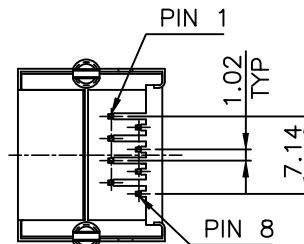
RECOMMENDED PCB THICKNESS: 1.6mm
TOLERANCE: ± 0.05 (TOP VIEW)



DETAIL B
(SCALE 2:1)



DETAIL C
(SCALE 2:1)



THIS DRAWING IS A CONTROLLED DOCUMENT.
DO NOT SCALE DRAWING.

DIMENSIONS: MM	TOLERANCES UNLESS OTHERWISE SPECIFIED:
	0 PLC \pm -
	1 PLC ± 0.25
	2 PLC ± 0.13
	3 PLC ± 0.05
	ANGLES \pm -

MATERIAL: SEE NOTES
FINISH: SEE NOTES

XMULTIPLE

TITLE
RJ45, MINI LOW PROFILE,
WITH SHELL, SIDE ENTRY PCB JACK

LTR	DESCRIPTION	DATE	APVD
REVISIONS			

DWN	A.HUANG	DATE	AUG-10-2010
CHK	M.CHANG	DATE	AUG-10-2010
APVD	W.J.YANG	DATE	AUG-11-2010

SIZE	CAUGE CODE	DRAWING NO
A4	-	XMM-9612-8815-SA-C
WEIGHT	- GRAMS Ref.	REV 5 SHEET 1